

Plugs fill knurled cap

Item description/product images



Description

Material:

Thermoplastic polyamide 66;
O-ring in rubber (NBR)

Version:

Black.

Temperature range:

Temperature resistant with oil up to 100°C.

Drawing reference:

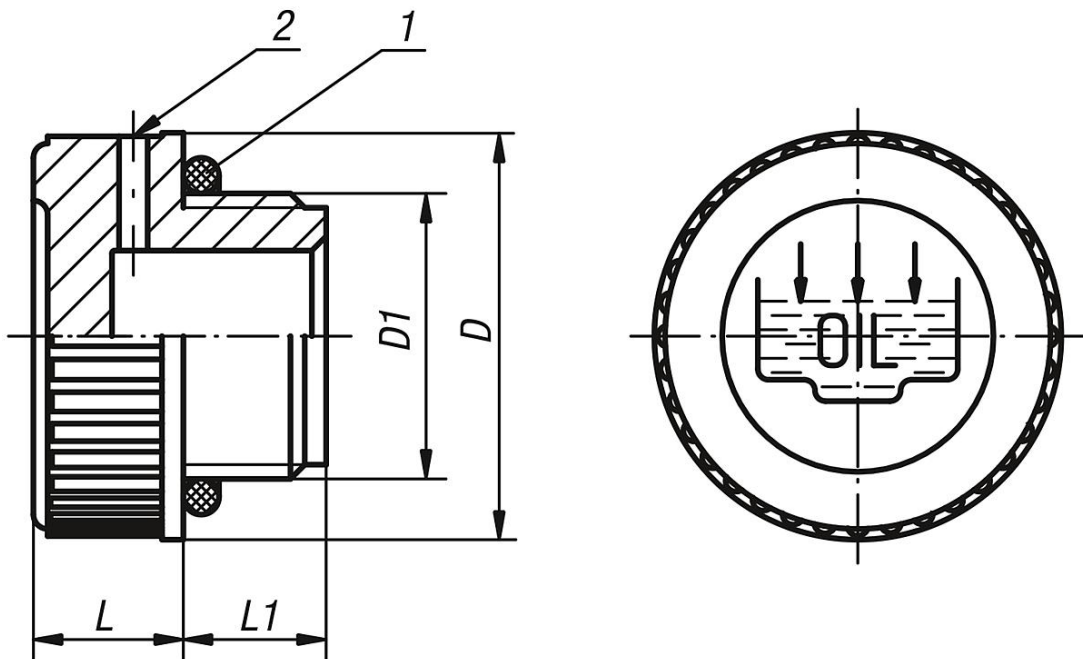
Form A: with fill symbol

Form B: with fill symbol and vent hole

1) O-ring

2) vent hole only Form B

Drawings



Overview of items