

Flattened locating pins, Form C

Item description/product images



Description

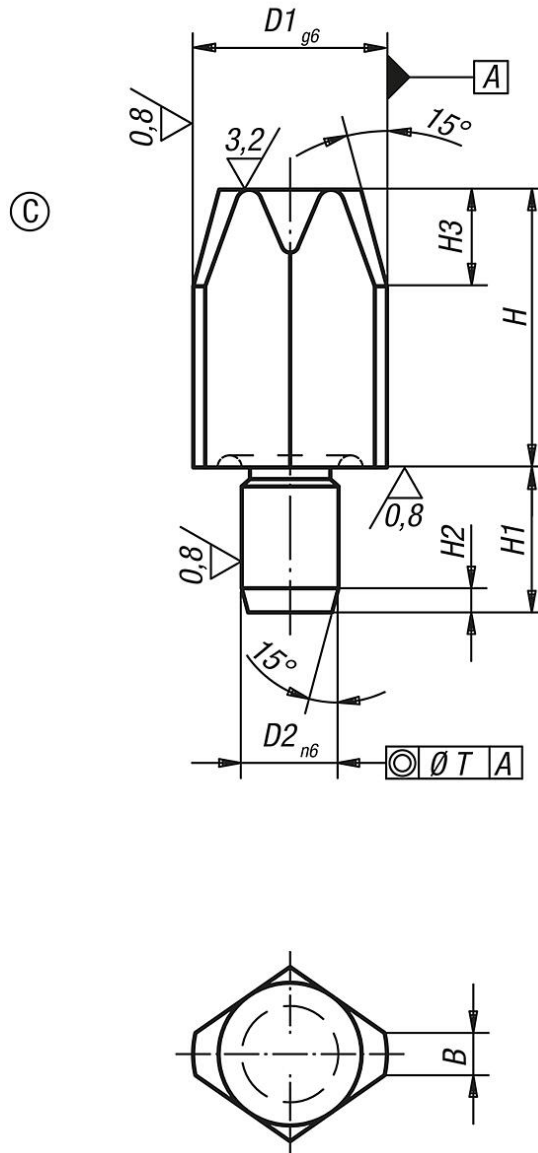
Material:
Tool steel.

Version:
Hardened and ground.

Note:
The flattened Form C can be used to bridge tolerances in hole spacing or to secure the part to be positioned in one direction only.
For similar pins, see B0177 and B0178.

Flattened locating pins, Form C

Drawings



Overview of items

Order No.	Form	Version 1	B	D1	D2	H	H1	H2	H3	T
B0180.406	C	short	1	6	4	7	6	1,2	4	0,02
B0180.408	C	short	1,6	8	6	10	9	1,6	6	0,02
B0180.410	C	short	2,5	10	6	10	9	1,6	6	0,02
B0180.412	C	short	2,5	12	6	10	9	1,6	6	0,02
B0180.416	C	short	3,5	16	8	13	12	2	8	0,04
B0180.420	C	short	5	20	12	15	18	2	9	0,04
B0180.425	C	short	5	25	12	15	18	2,5	9	0,04
B0180.506	C	long	1	6	4	12	6	1,2	4	0,02
B0180.508	C	long	1,6	8	6	16	9	1,6	6	0,02
B0180.510	C	long	2,5	10	6	18	9	1,6	6	0,02
B0180.512	C	long	2,5	12	6	18	9	1,6	6	0,02
B0180.516	C	long	3,5	16	8	22	12	2	8	0,04
B0180.520	C	long	5	20	12	25	18	2	9	0,04
B0180.525	C	long	5	25	12	25	18	2,5	9	0,04

Flattened locating pins, Form C

Overview of items
