

## Rest pads, Form C serrated face

### Item description/product images



### Description

**Material:**

Body high carbon steel.

**Version:**

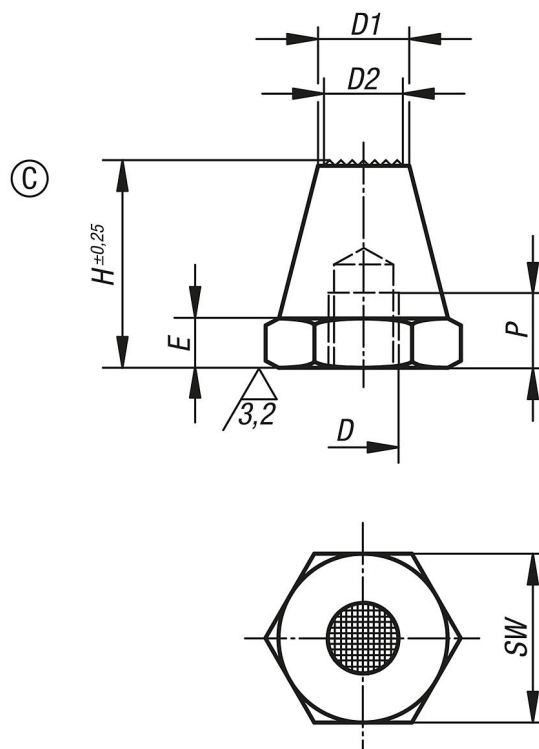
Body tempered and black oxidised.

**Note:**

Rest pads are for supporting machined and non-machined parts. They can also be used as stops and thrust pads in fixtures and toolmaking.

Studs or grub screws can be screwed and glued into the tapped hole D to make a rest pad with external thread.

### Drawings



### Overview of items

Order No.	Form	D	D1	D2	E	H	P	SW
B0186.306012	C	M6	6	5	3	12,5	4	11
B0186.306025	C	M6	6	5	3	25	7	11
B0186.308015	C	M8	8	6	4	15	6	13
B0186.308030	C	M8	8	6	4	30	9	13
B0186.310020	C	M10	10	8	5	20	9	17
B0186.310040	C	M10	10	8	5	40	13	17

## Rest pads, Form C serrated face

### Overview of items

Order No.	Form	D	D1	D2	E	H	P	SW
<b>B0186.312025</b>	C	M12	12	9,5	6	25	11	19
<b>B0186.312050</b>	C	M12	12	9,5	6	50	16	19
<b>B0186.316030</b>	C	M16	16	13	8	30	12	24
<b>B0186.316060</b>	C	M16	16	13	8	60	20	24