

Stop screws, Form A

Item description/product images



Description

Material:

Steel grade 10.9
(M3 8.8)

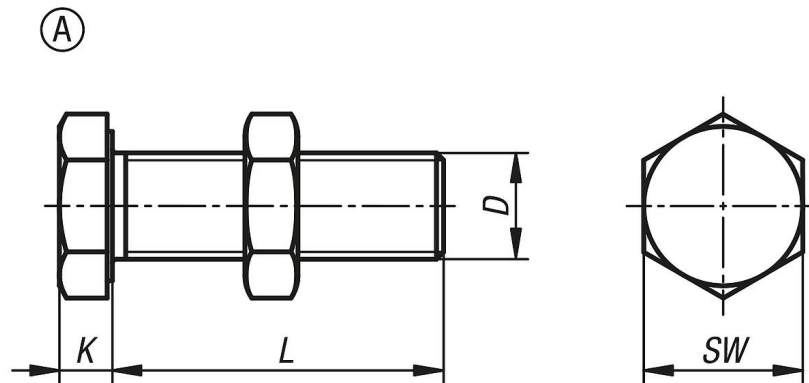
Version:

Stop screw black oxidised.
Nut electro zinc-plated.

Note:

Size M3 stop screw only available in grade 8.8.

Drawings



Overview of items

Order No.	Form	D	L	K	SW
B0196.10316	A	M3	16	2	5,5
B0196.10325	A	M3	25	2	5,5
B0196.10416	A	M4	16	2,5	7
B0196.10425	A	M4	25	2,5	7
B0196.10435	A	M4	35	2,5	7
B0196.10516	A	M5	16	3,5	8
B0196.10525	A	M5	25	3,5	8
B0196.10535	A	M5	35	3,5	8
B0196.10625	A	M6	25	3,8	10
B0196.10635	A	M6	35	3,8	10
B0196.10640	A	M6	40	3,8	10
B0196.10812	A	M8	12	5	13
B0196.10816	A	M8	16	5	13
B0196.10820	A	M8	20	5	13
B0196.10825	A	M8	25	5	13
B0196.10830	A	M8	30	5	13
B0196.10835	A	M8	35	5	13
B0196.10840	A	M8	40	5	13
B0196.10845	A	M8	45	5	13
B0196.10850	A	M8	50	5	13
B0196.10855	A	M8	55	5	13
B0196.10865	A	M8	65	5	13
B0196.10870	A	M8	70	5	13
B0196.10885	A	M8	85	5	13
B0196.11035	A	M10	35	6	17
B0196.11040	A	M10	40	6	17

Stop screws, Form A

Overview of items

Order No.	Form	D	L	K	SW
B0196.11050	A	M10	50	6	17
B0196.11060	A	M10	60	6	17
B0196.11240	A	M12	40	7	19
B0196.11260	A	M12	60	7	19
B0196.11270	A	M12	70	7	19
B0196.11650	A	M16	50	9,5	24
B0196.11660	A	M16	60	9,5	24
B0196.11670	A	M16	70	9,5	24