

Eccentric bushes for lateral spring plungers

Item description/product images



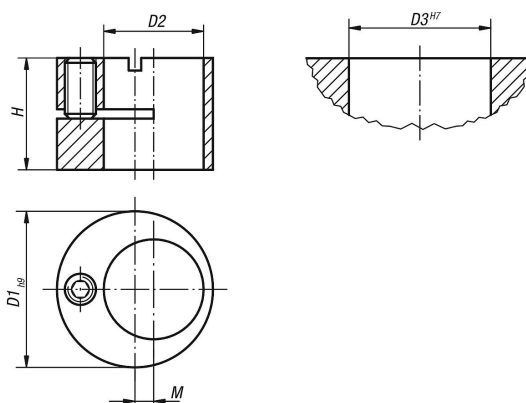
Description

Material:
Steel.

Version:
Black oxidised.

Note:
Eccentric bushes enable lateral spring plungers to be precisely positioned with regard to the workpiece.

Drawings



Overview of items

Order No.	D1	D2	D3	H	M	Suitable for lateral spring plungers with D =
B0043.120	12	6	12	9,9	2	6
B0043.160	16	10	16	11,9	2	10
B0043.180	18	12	18	13,9	2	12
B0043.250	25	16	25	17,9	3	16