

## Wing grips with internal thread

### Item description/product images

---



### Description

**Material:**

Black thermoplastic.

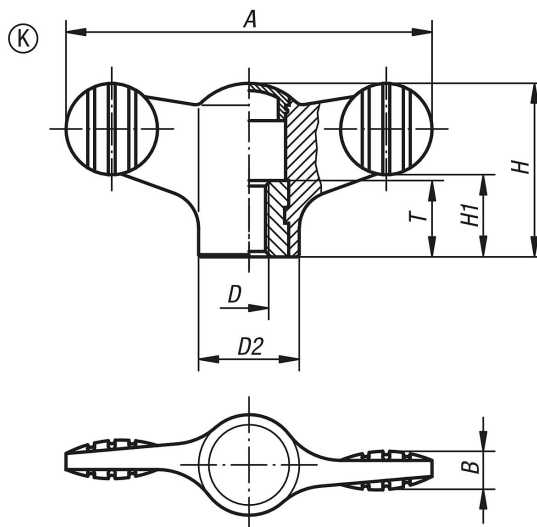
Bush grade 5.8 steel or 1.4305 stainless steel.

**Version:**

Steel trivalent blue passivated, stainless steel bright.

# Wing grips with internal thread

## Drawings



## Overview of items

Order No.	Component material	Colour Cap	A	D	D2	B	H	H1	T
B0301.904	steel	black grey RAL 7021	38	M4	12	4,5	18	8,5	10
B0301.9045	steel	light grey RAL 7035	38	M4	12	4,5	18	8,5	10
B0301.9046	steel	traffic red RAL 3020	38	M4	12	4,5	18	8,5	10
B0301.9047	steel	colza yellow RAL 1021	38	M4	12	4,5	18	8,5	10
B0301.905	steel	black grey RAL 7021	38	M5	12	4,5	18	8,5	10
B0301.9055	steel	light grey RAL 7035	38	M5	12	4,5	18	8,5	10
B0301.9056	steel	traffic red RAL 3020	38	M5	12	4,5	18	8,5	10
B0301.9057	steel	colza yellow RAL 1021	38	M5	12	4,5	18	8,5	10
B0301.906	steel	black grey RAL 7021	38	M6	12	4,5	18	8,5	10
B0301.9065	steel	light grey RAL 7035	38	M6	12	4,5	18	8,5	10
B0301.9066	steel	traffic red RAL 3020	38	M6	12	4,5	18	8,5	10
B0301.9067	steel	colza yellow RAL 1021	38	M6	12	4,5	18	8,5	10
B0301.105	steel	black grey RAL 7021	50	M5	14	5	24	11,5	10
B0301.1055	steel	light grey RAL 7035	50	M5	14	5	24	11,5	10
B0301.1056	steel	traffic red RAL 3020	50	M5	14	5	24	11,5	10
B0301.1057	steel	colza yellow RAL 1021	50	M5	14	5	24	11,5	10
B0301.106	steel	black grey RAL 7021	50	M6	14	5	24	11,5	10
B0301.1065	steel	light grey RAL 7035	50	M6	14	5	24	11,5	10
B0301.1066	steel	traffic red RAL 3020	50	M6	14	5	24	11,5	10
B0301.1067	steel	colza yellow RAL 1021	50	M6	14	5	24	11,5	10
B0301.208	steel	black grey RAL 7021	75	M8	21	7	35,6	16,5	14
B0301.2085	steel	light grey RAL 7035	75	M8	21	7	35,6	16,5	14
B0301.2086	steel	traffic red RAL 3020	75	M8	21	7	35,6	16,5	14
B0301.2087	steel	colza yellow RAL 1021	75	M8	21	7	35,6	16,5	14
B0301.210	steel	black grey RAL 7021	75	M10	21	7	35,6	16,5	14
B0301.2105	steel	light grey RAL 7035	75	M10	21	7	35,6	16,5	14
B0301.2106	steel	traffic red RAL 3020	75	M10	21	7	35,6	16,5	14
B0301.2107	steel	colza yellow RAL 1021	75	M10	21	7	35,6	16,5	14
B0301.0904	stainless steel	black grey RAL 7021	38	M4	12	4,5	18	8,5	10
B0301.09045	stainless steel	light grey RAL 7035	38	M4	12	4,5	18	8,5	10
B0301.09046	stainless steel	traffic red RAL 3020	38	M4	12	4,5	18	8,5	10
B0301.09047	stainless steel	colza yellow RAL 1021	38	M4	12	4,5	18	8,5	10
B0301.0905	stainless steel	black grey RAL 7021	38	M5	12	4,5	18	8,5	10
B0301.09055	stainless steel	light grey RAL 7035	38	M5	12	4,5	18	8,5	10
B0301.09056	stainless steel	traffic red RAL 3020	38	M5	12	4,5	18	8,5	10
B0301.09057	stainless steel	colza yellow RAL 1021	38	M5	12	4,5	18	8,5	10
B0301.0906	stainless steel	black grey RAL 7021	38	M6	12	4,5	18	8,5	10
B0301.09065	stainless steel	light grey RAL 7035	38	M6	12	4,5	18	8,5	10

## Wing grips with internal thread

### Overview of items

Order No.	Component material	Colour Cap	A	D	D2	B	H	H1	T
B0301.09066	stainless steel	traffic red RAL 3020	38	M6	12	4,5	18	8,5	10
B0301.09067	stainless steel	colza yellow RAL 1021	38	M6	12	4,5	18	8,5	10
B0301.0105	stainless steel	black grey RAL 7021	50	M5	14	5	24	11,5	10
B0301.01055	stainless steel	light grey RAL 7035	50	M5	14	5	24	11,5	10
B0301.01056	stainless steel	traffic red RAL 3020	50	M5	14	5	24	11,5	10
B0301.01057	stainless steel	colza yellow RAL 1021	50	M5	14	5	24	11,5	10
B0301.0106	stainless steel	black grey RAL 7021	50	M6	14	5	24	11,5	10
B0301.01065	stainless steel	light grey RAL 7035	50	M6	14	5	24	11,5	10
B0301.01066	stainless steel	traffic red RAL 3020	50	M6	14	5	24	11,5	10
B0301.01067	stainless steel	colza yellow RAL 1021	50	M6	14	5	24	11,5	10
B0301.0208	stainless steel	black grey RAL 7021	75	M8	21	7	35,6	16,5	14
B0301.02085	stainless steel	light grey RAL 7035	75	M8	21	7	35,6	16,5	14
B0301.02086	stainless steel	traffic red RAL 3020	75	M8	21	7	35,6	16,5	14
B0301.02087	stainless steel	colza yellow RAL 1021	75	M8	21	7	35,6	16,5	14
B0301.0210	stainless steel	black grey RAL 7021	75	M10	21	7	35,6	16,5	14
B0301.02105	stainless steel	light grey RAL 7035	75	M10	21	7	35,6	16,5	14
B0301.02106	stainless steel	traffic red RAL 3020	75	M10	21	7	35,6	16,5	14
B0301.02107	stainless steel	colza yellow RAL 1021	75	M10	21	7	35,6	16,5	14