

## T-grips, with external thread

### Item description/product images



### Description

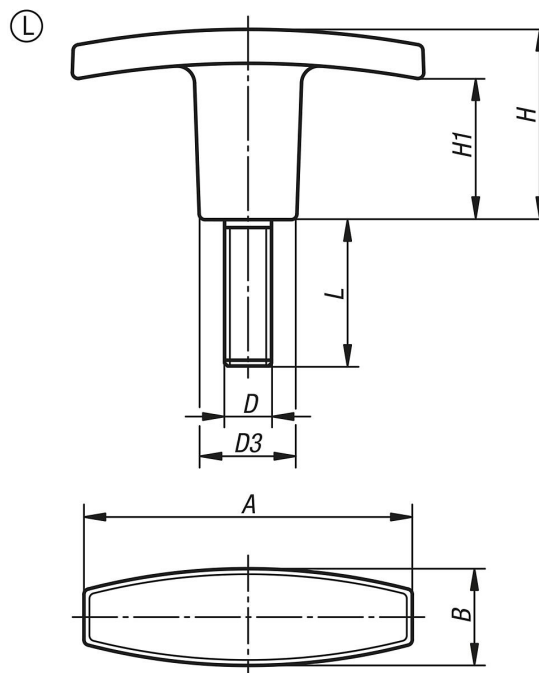
#### Material, version:

Glass-fibre reinforced thermoplastic, black  
Threaded pin electro zinc-plated steel.

#### On request:

Grip colour red, yellow, green, blue, white or grey (min. quantity 1000).

### Drawings



### Overview of items

Order No.	Form	A	B	D	D3	H	H1	L
B0304.24005X15	L	40	13	M5	13	30,5	20	15
B0304.25005X15	L	50	15	M5	14	24	16	15
B0304.25005X20	L	50	15	M5	14	24	16	20
B0304.26006X20	L	60	17	M6	16	31,5	23	20
B0304.26006X25	L	60	17	M6	16	31,5	23	25
B0304.27108X20	L	71	19,5	M8	20	36	19	20
B0304.27108X30	L	71	19,5	M8	20	36	19	30
B0304.27110X20	L	71	19,5	M10	20	36	19	20
B0304.27110X30	L	71	19,5	M10	20	36	19	30
B0304.28010X30	L	80	26	M10	26	39,5	26	30
B0304.28012X40	L	80	26	M12	26	39,5	26	40