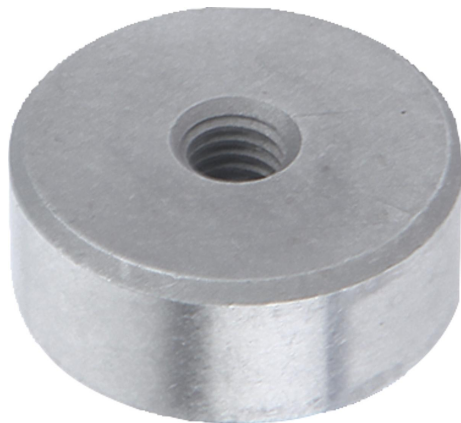


Round inserts, Form E

Item description/product images



Description

Material, version:

Stainless steel, hardened, bright.

Note:

Grippers and inserts are ideal for use in clamping arms, gripping systems, clamping fixtures, clamping jaws and self-aligning pads. Grippers transfer very high torque values and above average holding forces, even on hard materials and surface irregularities.

Grippers and inserts can be fitted in the following self-aligning pads:

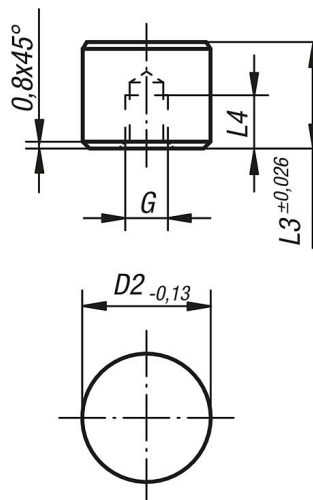
Order No. B0150.117X022 up to B0150.936X036

Order No. B0154.110X015 up to B0154.924X100

Order No. B0156.120X030 up to B0156.924X080

Drawings

Form E
stainless steel insert,
flat face



Overview of items

Order No.	Form	D2	L3	L4	G
B0169.10102	E	10	10	5	M5
B0169.10122	E	10	12	6,4	M5
B0169.12102	E	12	10	5	M5
B0169.12122	E	12	12	6,4	M5
B0169.16102	E	16	10	5	M6
B0169.16122	E	16	12	6,4	M6
B0169.20102	E	20	10	5	M6
B0169.20122	E	20	12	6,4	M6
B0169.25102	E	25	10	5	M6
B0169.25122	E	25	12	6,4	M6