

## Round inserts, form K

### Item description/product images



### Description

**Material, version:**

Form K white POM

**Note:**

Grippers and inserts are ideal for use in clamping arms, gripping systems, clamping fixtures, clamping jaws and self-aligning pads. Grippers transfer very high torque values and above average holding forces, even on hard materials and surface irregularities.

Grippers and inserts can be fitted in the following self-aligning pads:

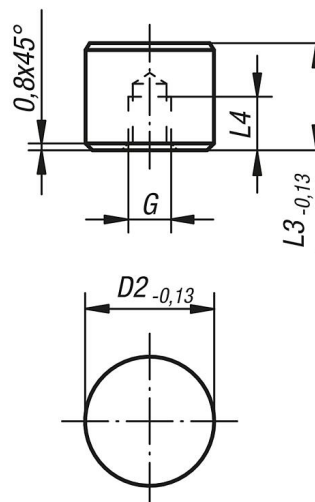
Order No. B0150.117X022 up to B0150.936X036

Order No. B0154.110X015 up to B0154.924X100

Order No. B0156.120X030 up to B0156.924X080

### Drawings

Form K  
POM insert, flat face



### Overview of items

Order No.	Form	D2	L3	L4	G
B0169.10109	K	10	10	5	M5
B0169.10129	K	10	12	6,4	M5
B0169.12109	K	12	10	5	M5
B0169.12129	K	12	12	6,4	M5
B0169.16109	K	16	10	5	M6
B0169.16129	K	16	12	6,4	M6
B0169.20109	K	20	10	5	M6
B0169.20129	K	20	12	6,4	M6
B0169.25109	K	25	10	5	M6
B0169.25129	K	25	12	6,4	M6