

## Round inserts, Form P

### Item description/product images



### Description

#### Material, version:

Stainless steel with polyurethane surface, Shore hardness 60°.

#### Note:

Grippers and inserts are ideal for use in clamping arms, gripping systems, clamping fixtures, clamping jaws and self-aligning pads. The use of grippers allows the transfer of very high torque values and above average grip, even with hard materials and surface irregularities.

Form P: The polyurethane surface is vulcanised firmly to the ball. It is abrasion-resistant and does not discolour. It offers optimum protection against damage to delicate surfaces. The pearl-like surface gives a firm grip and allows air to escape so as to prevent any suction effect between the contact surface and the self-aligning pads.

Grippers and inserts can be fitted in the following self-aligning pads:

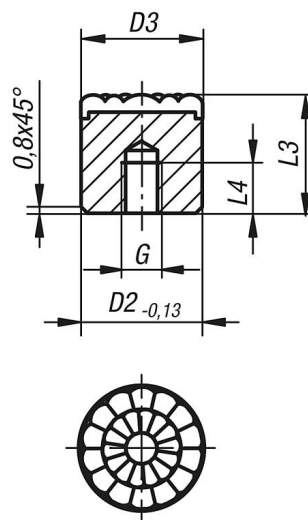
Order No. B0150.117X022 up to B0150.936X036

Order No. B0154.110X015 up to B0154.924X100

Order No. B0156.120X030 up to B0156.924X080

### Drawings

Form P  
stainless steel insert,  
PUR surface



### Overview of items

Order No.	Form	D2	L3	L4	G
B0169.08126	P	8	12	6	M4
B0169.10126	P	10	12	6	M5
B0169.12126	P	12	12	6	M5
B0169.16126	P	16	12	6	M6
B0169.20126	P	20	12	6	M6
B0169.25126	P	25	12	6	M6

## Round inserts, Form P

Overview of items

---