

Gripper studs, Form B

Item description/product images



Description

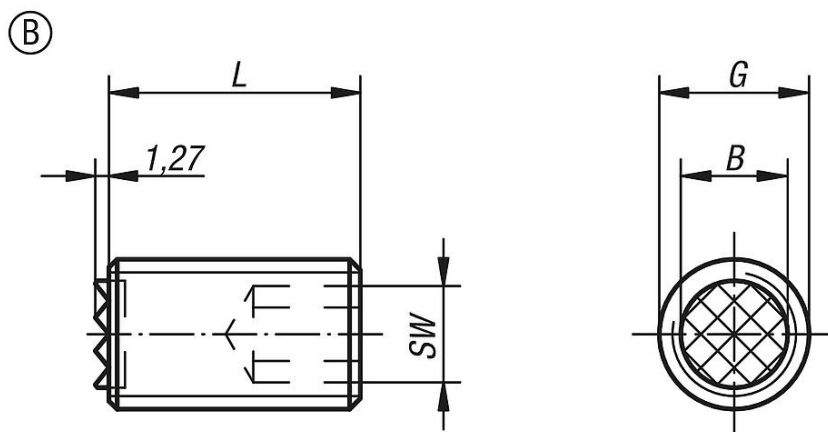
Material:

Hardened tool steel or carbide.

Note:

The full thread on the grippers allows exact adjustment to the clamping application. The carbide tips are soldered in.

Drawings



Overview of items

Order No.	Form	L	B	G	SW
B0172.2510	B	25	6,4	M10	5
B0172.5010	B	50	6,4	M10	5
B0172.2512	B	25	7,9	M12	6
B0172.5012	B	50	7,9	M12	6
B0172.2516	B	25	11,2	M16	8
B0172.5016	B	50	11,2	M16	8
B0172.2520	B	25	12,7	M20	10
B0172.5020	B	50	12,7	M20	10

Gripper studs, Form B

Overview of items
