

Handwheels DIN 950, aluminium, without grip

Item description/product images



Description

Material:

Handwheel in aluminium

Version:

Wheel rim turned and polished.

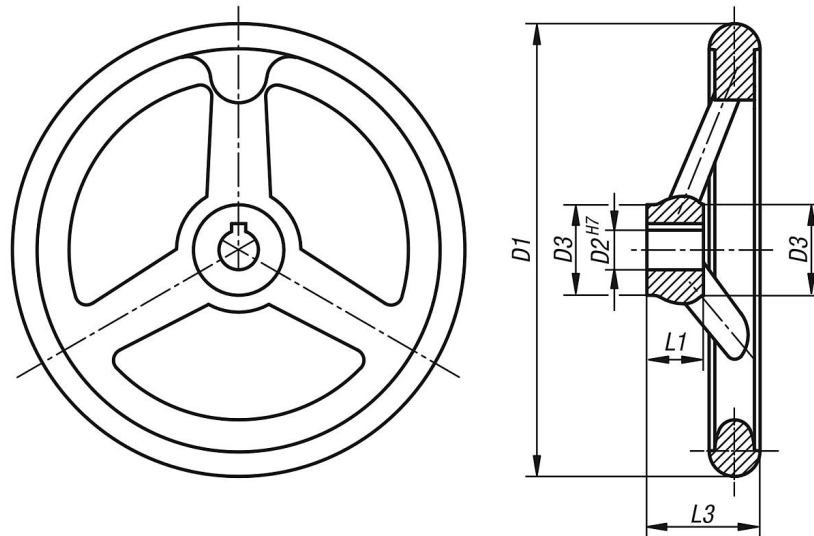
On request:

Hubs with square socket or powder-coated handwheels.

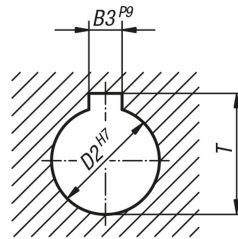


Handwheels DIN 950, aluminium, without grip

Drawings



DIN 6885-1



Overview of items

Order No.	Version 1	D1	D2	D3	L1	L3	B3	T	Number of spokes
B0329.0080X10	reamed hole	80	10H7	24	16	29	-	-	3
B0329.0080X12	reamed hole	80	12H7	24	16	29	-	-	3
B0329.0100X10	reamed hole	100	10H7	26	17	33	-	-	3
B0329.0100X12	reamed hole	100	12H7	26	17	33	-	-	3
B0329.0125X12	reamed hole	125	12H7	28	18	36	-	-	3
B0329.0125X14	reamed hole	125	14H7	28	18	36	-	-	3
B0329.0140X14	reamed hole	140	14H7	30	19	39	-	-	3
B0329.0140X16	reamed hole	140	16H7	30	19	39	-	-	3
B0329.0160X14	reamed hole	160	14H7	32	20	40	-	-	3
B0329.0160X16	reamed hole	160	16H7	32	20	40	-	-	3
B0329.0180X16	reamed hole	180	16H7	37	22	43	-	-	3
B0329.0180X18	reamed hole	180	18H7	37	22	43	-	-	3
B0329.0200X18	reamed hole	200	18H7	38	24	45	-	-	3
B0329.0200X22	reamed hole	200	22H7	38	24	45	-	-	3
B0329.0250X22	reamed hole	250	22H7	45	28	50	-	-	5
B0329.0250X26	reamed hole	250	26H7	45	28	50	-	-	5
B0329.0315X26	reamed hole	315	26H7	53	33	56	-	-	5
B0329.0315X30	reamed hole	315	30H7	53	33	56	-	-	5
B0329.0400X30	reamed hole	400	30H7	65	38	63	-	-	5
B0329.0400X34	reamed hole	400	34H7	65	38	63	-	-	5
B0329.0500X34	reamed hole	500	34H7	78	45	72	-	-	5
B0329.0500X40	reamed hole	500	40H7	78	45	72	-	-	5
B0329.1080X10	reamed hole with slot	80	10H7	24	16	29	3	11,4	3
B0329.1080X12	reamed hole with slot	80	12H7	24	16	29	4	13,8	3
B0329.1100X10	reamed hole with slot	100	10H7	26	17	33	3	11,4	3
B0329.1100X12	reamed hole with slot	100	12H7	26	17	33	4	13,8	3
B0329.1125X12	reamed hole with slot	125	12H7	28	18	36	4	13,8	3

Handwheels DIN 950, aluminium, without grip

Overview of items

Order No.	Version 1	D1	D2	D3	L1	L3	B3	T	Number of spokes
B0329.1125X14	reamed hole with slot	125	14H7	28	18	36	5	16,3	3
B0329.1140X14	reamed hole with slot	140	14H7	30	19	39	5	16,3	3
B0329.1140X16	reamed hole with slot	140	16H7	30	19	39	5	18,3	3
B0329.1160X14	reamed hole with slot	160	14H7	32	20	40	5	16,3	3
B0329.1160X16	reamed hole with slot	160	16H7	32	20	40	5	18,3	3
B0329.1180X16	reamed hole with slot	180	16H7	37	22	43	5	18,3	3
B0329.1180X18	reamed hole with slot	180	18H7	37	22	43	6	20,8	3
B0329.1200X18	reamed hole with slot	200	18H7	38	24	45	6	20,8	3
B0329.1200X22	reamed hole with slot	200	22H7	38	24	45	6	24,8	3
B0329.1250X22	reamed hole with slot	250	22H7	45	28	50	6	24,8	5
B0329.1250X26	reamed hole with slot	250	26H7	45	28	50	8	29,3	5
B0329.1315X26	reamed hole with slot	315	26H7	53	33	56	8	29,3	5
B0329.1315X30	reamed hole with slot	315	30H7	53	33	56	8	33,3	5
B0329.1400X30	reamed hole with slot	400	30H7	65	38	63	8	33,3	5
B0329.1400X34	reamed hole with slot	400	34H7	65	38	63	10	37,3	5
B0329.1500X34	reamed hole with slot	500	34H7	78	45	72	10	37,3	5
B0329.1500X40	reamed hole with slot	500	40H7	78	45	72	12	43,3	5