

Handwheels DIN 950, aluminium, with revolving grip

Item description/product images



Description

Material:

Handwheel aluminium.
 Fixed grip aluminium, centre pin black oxidised steel.
 Revolving grip aluminium, centre pin trivalent blue passivated steel.

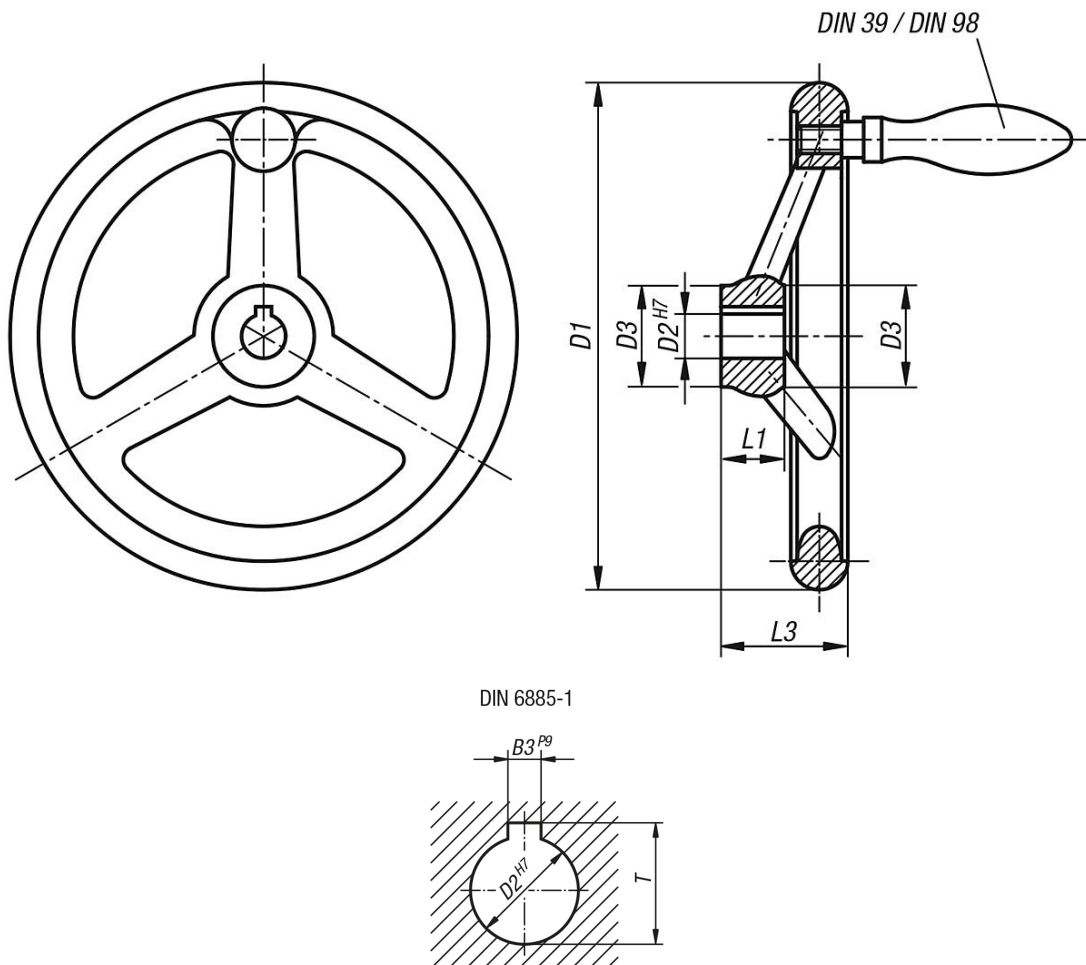
Version:

Wheel rim turned and polished.

On request:

Hubs with square socket or powder-coated handwheels.

Drawings



Handwheels DIN 950, aluminium, with revolving grip

Overview of items

Order No.	Version 1	D1	D2	D3	L1	L3	B3	T	Number of spokes	revolving grip DIN 98 Form E
B0329.4080X10	reamed hole	80	10H7	24	16	29	-	-	3	ø16 x M6 x 54,5
B0329.4080X12	reamed hole	80	12H7	24	16	29	-	-	3	ø16 x M6 x 54,5
B0329.4100X10	reamed hole	100	10H7	26	17	33	-	-	3	ø16 x M6 x 54,5
B0329.4100X12	reamed hole	100	12H7	26	17	33	-	-	3	ø16 x M6 x 54,5
B0329.4125X12	reamed hole	125	12H7	28	18	36	-	-	3	ø20 x M8 x 67
B0329.4125X14	reamed hole	125	14H7	28	18	36	-	-	3	ø20 x M8 x 67
B0329.4140X14	reamed hole	140	14H7	30	19	39	-	-	3	ø20 x M8 x 67
B0329.4140X16	reamed hole	140	16H7	30	19	39	-	-	3	ø20 x M8 x 67
B0329.4160X14	reamed hole	160	14H7	32	20	40	-	-	3	ø25 x M10 x 83
B0329.4160X16	reamed hole	160	16H7	32	20	40	-	-	3	ø25 x M10 x 83
B0329.4180X16	reamed hole	180	16H7	37	22	43	-	-	3	ø25 x M10 x 83
B0329.4180X18	reamed hole	180	18H7	37	22	43	-	-	3	ø25 x M10 x 83
B0329.4200X18	reamed hole	200	18H7	38	24	45	-	-	3	ø25 x M10 x 83
B0329.4200X22	reamed hole	200	22H7	38	24	45	-	-	3	ø25 x M10 x 83
B0329.4250X22	reamed hole	250	22H7	45	28	50	-	-	5	ø32 x M12 x 105,5
B0329.4250X26	reamed hole	250	26H7	45	28	50	-	-	5	ø32 x M12 x 105,5
B0329.4315X26	reamed hole	315	26H7	53	33	56	-	-	5	ø32 x M12 x 105,5
B0329.4315X30	reamed hole	315	30H7	53	33	56	-	-	5	ø32 x M12 x 105,5
B0329.4400X30	reamed hole	400	30H7	65	38	63	-	-	5	ø36 x M16 x 117
B0329.4400X34	reamed hole	400	34H7	65	38	63	-	-	5	ø36 x M16 x 117
B0329.4500X34	reamed hole	500	34H7	78	45	72	-	-	5	ø36 x M16 x 117
B0329.4500X40	reamed hole	500	40H7	78	45	72	-	-	5	ø36 x M16 x 117
B0329.5080X10	reamed hole with slot	80	10H7	24	16	29	3	11,4	3	ø16 x M6 x 54,5
B0329.5080X12	reamed hole with slot	80	12H7	24	16	29	4	13,8	3	ø16 x M6 x 54,5
B0329.5100X10	reamed hole with slot	100	10H7	26	17	33	3	11,4	3	ø16 x M6 x 54,5
B0329.5100X12	reamed hole with slot	100	12H7	26	17	33	4	13,8	3	ø16 x M6 x 54,5
B0329.5125X12	reamed hole with slot	125	12H7	28	18	36	4	13,8	3	ø20 x M8 x 67
B0329.5125X14	reamed hole with slot	125	14H7	28	18	36	5	16,3	3	ø20 x M8 x 67
B0329.5140X14	reamed hole with slot	140	14H7	30	19	39	5	16,3	3	ø20 x M8 x 67
B0329.5140X16	reamed hole with slot	140	16H7	30	19	39	5	18,3	3	ø20 x M8 x 67
B0329.5160X14	reamed hole with slot	160	14H7	32	20	40	5	16,3	3	ø25 x M10 x 83
B0329.5160X16	reamed hole with slot	160	16H7	32	20	40	5	18,3	3	ø25 x M10 x 83
B0329.5180X16	reamed hole with slot	180	16H7	37	22	43	5	18,3	3	ø25 x M10 x 83
B0329.5180X18	reamed hole with slot	180	18H7	37	22	43	6	20,8	3	ø25 x M10 x 83
B0329.5200X18	reamed hole with slot	200	18H7	38	24	45	6	20,8	3	ø25 x M10 x 83
B0329.5200X22	reamed hole with slot	200	22H7	38	24	45	6	24,8	3	ø25 x M10 x 83
B0329.5250X22	reamed hole with slot	250	22H7	45	28	50	6	24,8	5	ø32 x M12 x 105,5
B0329.5250X26	reamed hole with slot	250	26H7	45	28	50	8	29,3	5	ø32 x M12 x 105,5
B0329.5315X26	reamed hole with slot	315	26H7	53	33	56	8	29,3	5	ø32 x M12 x 105,5
B0329.5315X30	reamed hole with slot	315	30H7	53	33	56	8	33,3	5	ø32 x M12 x 105,5
B0329.5400X30	reamed hole with slot	400	30H7	65	38	63	8	33,3	5	ø36 x M16 x 117
B0329.5400X34	reamed hole with slot	400	34H7	65	38	63	10	37,3	5	ø36 x M16 x 117
B0329.5500X34	reamed hole with slot	500	34H7	78	45	72	10	37,3	5	ø36 x M16 x 117
B0329.5500X40	reamed hole with slot	500	40H7	78	45	72	12	43,3	5	ø36 x M16 x 117