

## Five lobe grips with internal thread

### Item description/product images



### Description

#### Material, version:

Base body in black hard thermoplastic,  
coating in black soft thermoplastic,  
internal thread in brass.

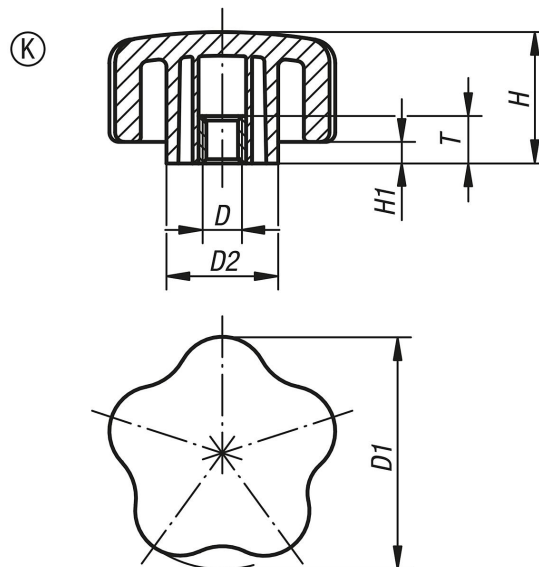
#### Note:

SYMPA TOUCH five lobe grips are available in 3 sizes with internal and external threads.

#### On request:

Other screw sizes, screw lengths, versions and colours.

### Drawings



### Overview of items

#### Five lobe grips with internal thread

Order No.	Form	D	D1	D2	H	H1	T
B0296.4005	K	M5	40	19	27,7	4,6	12,5
B0296.4006	K	M6	40	19	27,7	4,6	12,5
B0296.4008	K	M8	40	19	27,7	4,6	12,5
B0296.4010	K	M10	40	19	27,7	4,6	12,5
B0296.5006	K	M6	50	23,5	27,7	4,6	12,5
B0296.5008	K	M8	50	23,5	27,7	4,6	12,5
B0296.5010	K	M10	50	23,5	27,7	4,6	12,5
B0296.6006	K	M6	60	31,8	27,7	4,6	12,5
B0296.6008	K	M8	60	31,8	27,7	4,6	12,5
B0296.6010	K	M10	60	31,8	27,7	4,6	12,5

## **Five lobe grips with internal thread**

**Overview of items**

---