

## Five lobe grips with internal thread

### Item description/product images



### Description

**Material:**

Black thermoset PF 31.

Bush electro zinc-plated steel.

**Version:**

High-gloss polished.

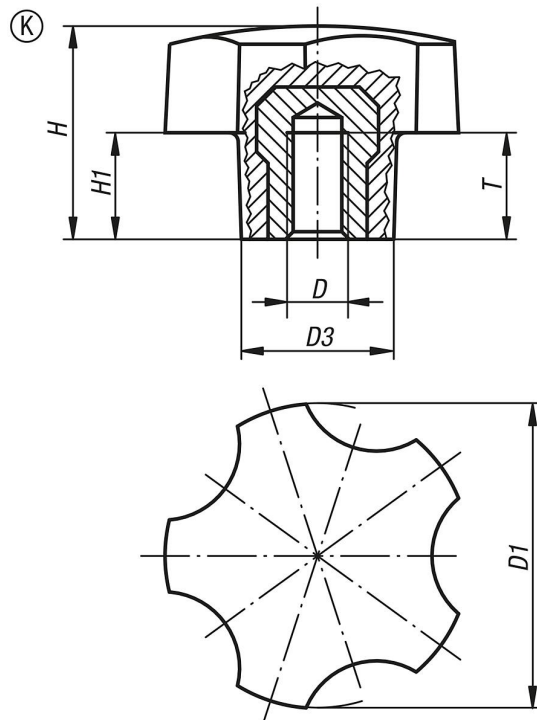
**Note:**

The versions B0297.3205 and B0297.3206 have a brass bush.

**On request:**

Other colours.

### Drawings



### Overview of items

Order No.	Form	D	D1	D3	H	H1	T
B0297.3205	K	M5	32	16	22,4	11,2	10
B0297.3206	K	M6	32	16	22,4	11,2	9
B0297.4006	K	M6	40	20	28	14	12
B0297.4008	K	M8	40	20	28	14	14
B0297.4010	K	M10	40	20	28	14	14
B0297.5008	K	M8	50	25	35	17,5	14
B0297.5010	K	M10	50	25	35	17,5	14

## **Five lobe grips with internal thread**

**Overview of items**

---