

## Ball knobs DIN 319 Form K

### Item description/product images



### Description

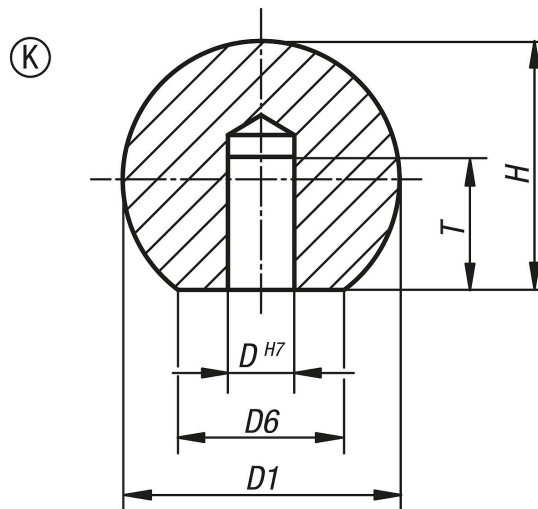
**Material:**

Stainless steel 1.4301 or aluminium.

**Version:**

Polished.

### Drawings



### Overview of items

Order No.	Form	Form definition	Main material	Steel code	D	D1	D6	H	T
B0308.316043	K	with reamed hole	stainless steel	1.4301	6	16	8	15	10
B0308.320053	K	with reamed hole	stainless steel	1.4301	8	20	12	18	12
B0308.325063	K	with reamed hole	stainless steel	1.4301	10	25	15	22,5	16
B0308.332083	K	with reamed hole	stainless steel	1.4301	12	32	18	29	20
B0308.340103	K	with reamed hole	stainless steel	1.4301	16	40	22	37	25
B0308.350123	K	with reamed hole	stainless steel	1.4301	20	50	28	46	32
B0308.316042	K	with reamed hole	aluminium	-	6	16	8	15	10
B0308.320052	K	with reamed hole	aluminium	-	8	20	12	18	12
B0308.325062	K	with reamed hole	aluminium	-	10	25	15	22,5	16
B0308.332082	K	with reamed hole	aluminium	-	12	32	18	29	20
B0308.340102	K	with reamed hole	aluminium	-	16	40	22	37	25
B0308.350122	K	with reamed hole	aluminium	-	20	50	28	46	32