

Swivel castors

Item description/product images



Description

Material:

Housing steel plate.

Wheel body PA 6 with vulcanised elastic solid rubber tyre.

Version:

Housing press formed.

Double ball bearing with ball shield in castor head.

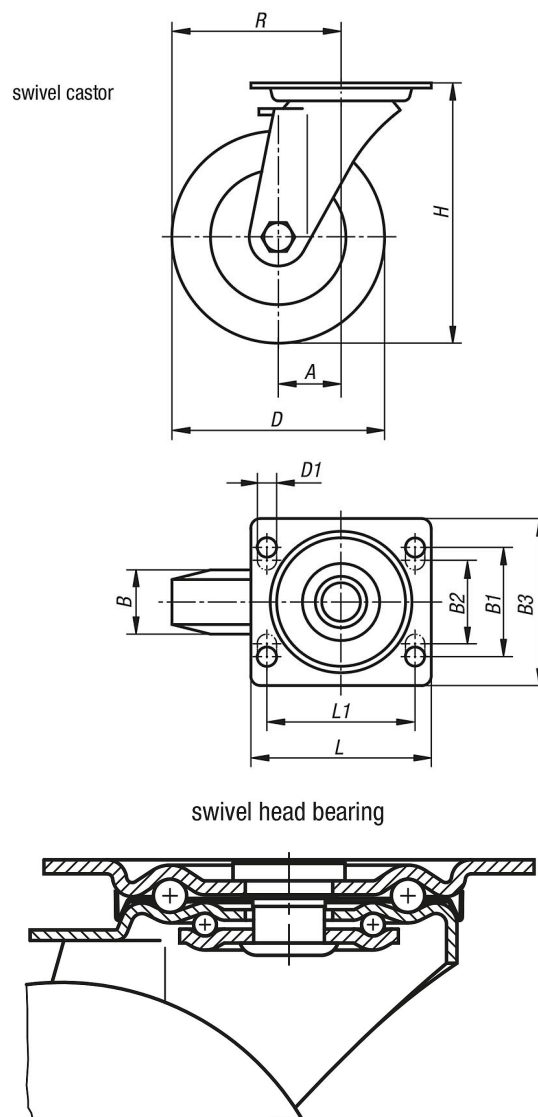
Roller bearings in the wheels.

Note:

Wheel axle bolted.

Wheels are shock and impact proof.

Drawings



Swivel castors

Overview of items

Order No.	Item	Version 1	Wheel bearing	A	B	B1	B2	B3	D	D1	H	L	L1	R	Permissible load kg
B0483.10037	Swivel castor	without locking system	roller bearing	36	32	-	60	85	100	9	125	100	80	86	170
B0483.12537	Swivel castor	without locking system	roller bearing	40	37	-	60	85	125	9	150	100	80	102,5	200
B0483.16050	Swivel castor	without locking system	roller bearing	60	50	75	80	110	160	11	195	140	105	140	350
B0483.20050	Swivel castor	without locking system	roller bearing	65	50	75	80	110	200	11	235	140	105	165	400