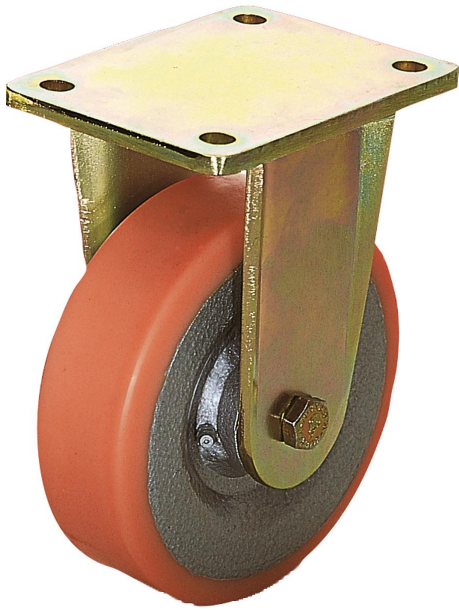


Fixed castors

Item description/product images



Description

Material:

Housing solid welded steel construction.
Wheels with welded steel body and Extrathane® tread.

Version:

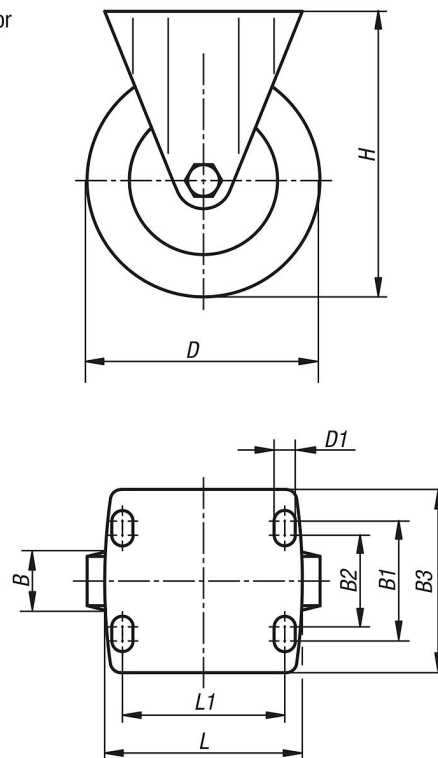
The housing is a rugged welded steel construction; wheels with precision ball bearing

Note:

Centre pin welded in, bolted and secured. Wheel axle bolted.

Drawings

fixed castor



Overview of items

Order No.	Item	Version 1	Wheel bearing	B	B1	B2	B3	D	D1	H	L	L1	Permissible load kg
B0488.160501	Fixed castor	without locking system	ball bearing	50	80	75	110	160	11	205	140	105	700
B0488.200501	Fixed castor	without locking system	ball bearing	50	80	75	110	200	11	245	140	105	1000
B0488.250601	Fixed castor	without locking system	ball bearing	60	105	-	140	250	14	305	175	140	1350

Fixed castors

Overview of items
