

**Fixed castors**

**Item description/product images**



**Description**

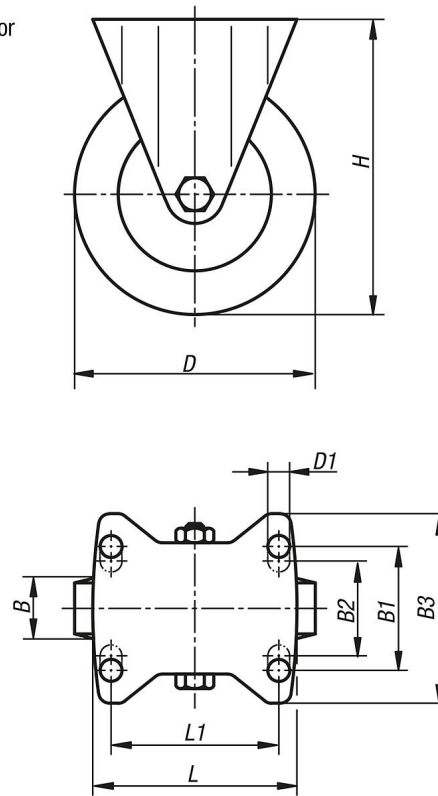
**Material:**  
Housing thick steel plate.  
Wheels PA 6.

**Version:**  
Pressed housing

**Note:**  
Wheel axle bolted. The wheels are particularly shock and impact proof and have high abrasion resistance.

**Drawings**

fixed castor



**Overview of items**

Order No.	Item	Version 1	Wheel bearing	B	B1	B2	B3	D	D1	H	L	L1	Permissible load kg
B0490.100371	Fixed castor	without locking system	plain bearing	37	60	-	85	100	9	140	100	80	280
B0490.125401	Fixed castor	without locking system	plain bearing	40	60	-	85	125	9	165	100	80	300
B0490.150501	Fixed castor	without locking system	plain bearing	50	80	75	110	150	11	197	140	105	400
B0490.200501	Fixed castor	without locking system	plain bearing	50	80	75	110	200	11	245	140	105	600

## **Fixed castors**

**Overview of items**

---