

Tension levers, flat, internal thread, 15°

Item description/product images



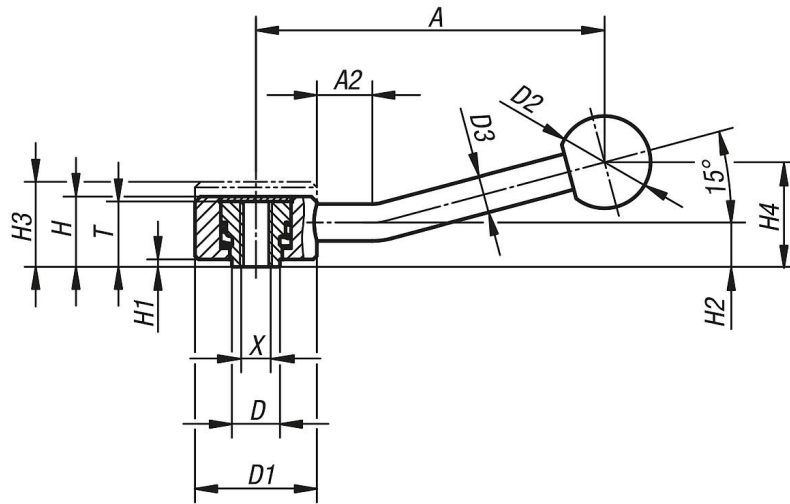
Description

Material:
Steel parts grade 5.8.
Ball knob black plastic.

Version:
Black oxidised.

On request:
Other threads and special versions.
Dimensions "H1" and "A" available in other lengths at extra charge.

Drawings



Overview of items

Order No.	Form	X	T	A	A2	D	D1	D2	D3	H	H1	H2	H3	H4	No. of teeth
B0249.1062	15°	M6	18	100	15	13,5	33	25	10	19	2	12	23	29	26
B0249.1082	15°	M8	18	100	15	13,5	33	25	10	19	2	12	23	29	26
B0249.2102	15°	M10	21	127	15	19	41	30	12	22	2	13,5	26	38	30
B0249.2122	15°	M12	21	127	15	19	41	30	12	22	2	13,5	26	38	30
B0249.3122	15°	M12	27	145	15	23	45	37	14	28	2	17	33	48	36
B0249.3162	15°	M16	27	145	15	23	45	37	14	28	2	17	33	48	36