

Tension levers, flat, external thread, 0°

Item description/product images



Description

Material:

Steel parts grade 5.8.
Ball knob black plastic.

Version:

Black oxidised.

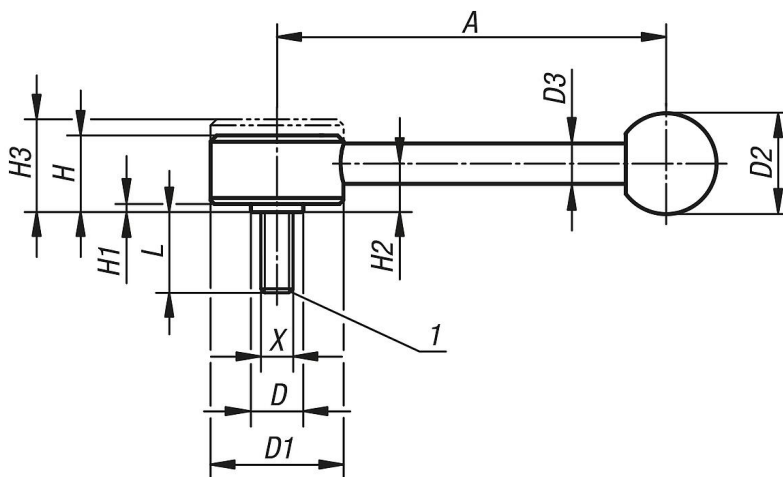
On request:

Other threads, screw lengths and special versions.
Dimensions "H1" and "A" available in other lengths at extra charge.

Drawing reference:

1) flat point DIN EN ISO 4753

Drawings



Overview of items

Order No.	Form	X	A=Handle length	D	D1	D2	D3	H	H1	H2	H3	L	No. of teeth
B0250.1081X15	0°	M8	102	13,5	33	25	10	19	2	12	23	15/20/25/30/40/50/60	20
B0250.1101X15	0°	M10	102	13,5	33	25	10	19	2	12	23	15/20/25/30/40/50/60	20
B0250.2101X20	0°	M10	131	19	41	30	12	22	2	13,5	26	20/25/30/40/50/60	24
B0250.2121X20	0°	M12	131	19	41	30	12	22	2	13,5	26	20/25/30/40/50/60	24
B0250.3121X20	0°	M12	148	23	45	37	14	28	2	17	33	20/25/30/40/50/60	26
B0250.3161X20	0°	M16	148	23	45	37	14	28	2	17	33	20/25/30/40/50/60	26