

# Tension levers, flat, external thread, 15°

## Item description/product images



### Description

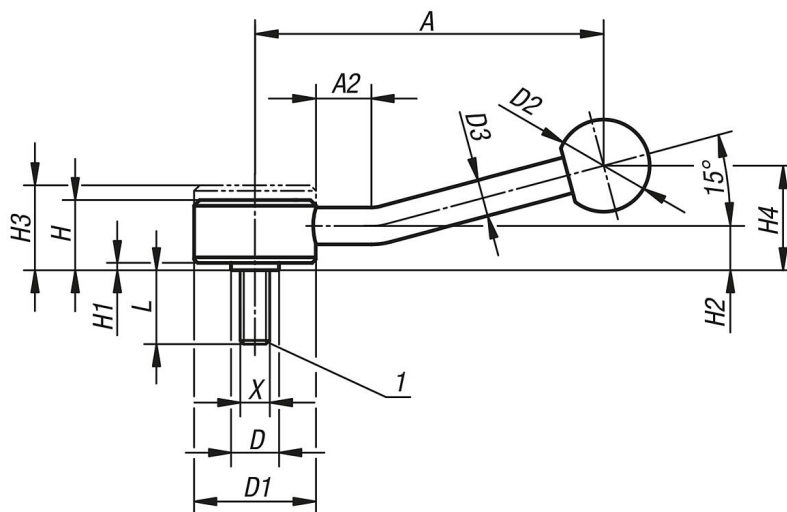
**Material:**  
Steel parts grade 5.8.  
Ball knob black plastic.

**Version:**  
Black oxidised.

**On request:**  
Other threads, screw lengths and special versions.  
Dimensions "H1" and "A" available in other lengths at extra charge.

**Drawing reference:**  
1) flat point DIN EN ISO 4753

## Drawings



## Overview of items

Order No.	Form	X	A=Handle length	A2	D	D1	D2	D3	H	H1	H2	H3	H4	No. of teeth	L
B0250.1082X15	15°	M8	100	15	13,5	33	25	10	19	2	12	23	29	20	15/20/25/30/40/50/60
B0250.1102X15	15°	M10	100	15	13,5	33	25	10	19	2	12	23	29	20	15/20/25/30/40/50/60
B0250.2102X20	15°	M10	127	15	19	41	30	12	22	2	13,5	26	38	24	20/25/30/40/50/60
B0250.2122X20	15°	M12	127	15	19	41	30	12	22	2	13,5	26	38	24	20/25/30/40/50/60
B0250.3122X20	15°	M12	145	15	23	45	37	14	28	2	17	33	48	26	20/25/30/40/50/60
B0250.3162X20	15°	M16	145	15	23	45	37	14	28	2	17	33	48	26	20/25/30/40/50/60