

Mounting brackets aluminium

Item description/product images



Description

Material:

Aluminium 3.2163.

Version:

Black.

Note:

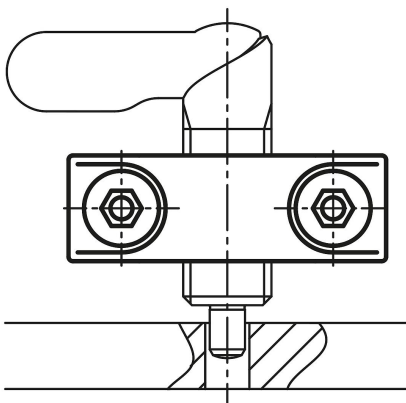
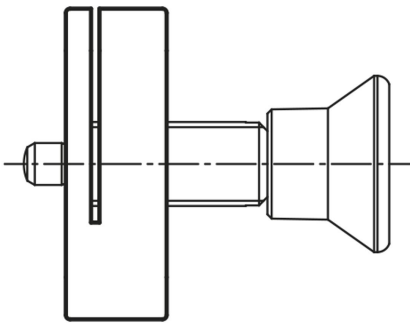
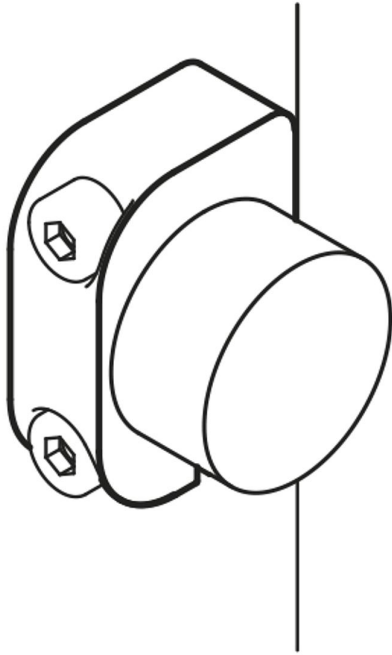
These mounting brackets are an assembly aid for cam-action and other indexing plungers and expand the application field. They can also be used with other elements that have a suitable thread.

Fastened using DIN 912 / ISO 4762 cap screws.

Drawing reference:

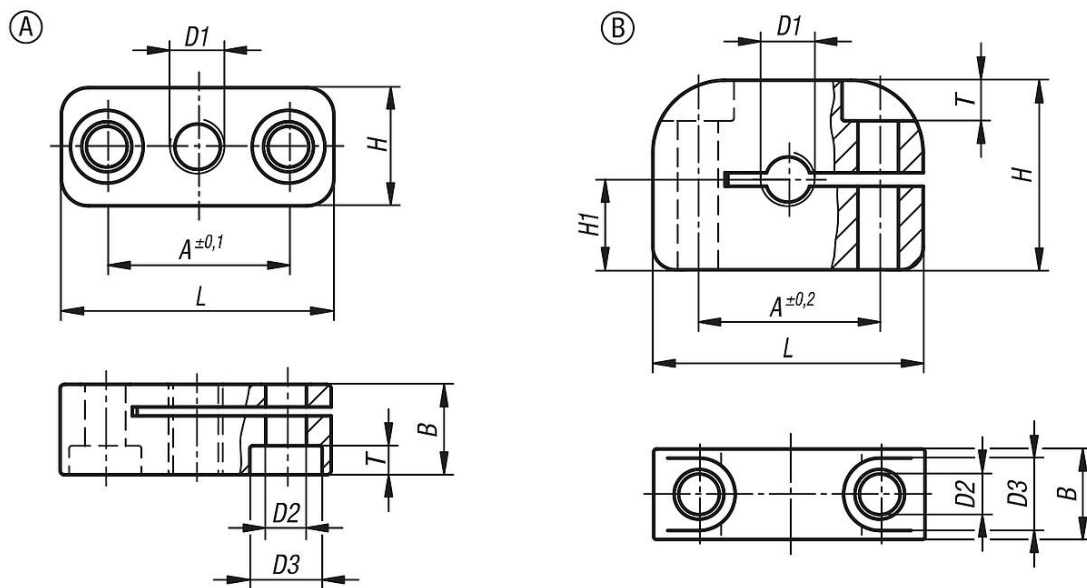
Form A: fastening holes parallel to thread

Form B: fastening holes perpendicular to thread



Mounting brackets aluminium

Drawings



Overview of items

Mounting bracket aluminium

Order No.	Form	D1	D2	D3	A	B	H	H1	L	T
B0066.306	A	M6	4,5	8	20	10	13	-	30	3,2
B0066.3061	A	M6x0,75	4,5	8	20	10	13	-	30	3,2
B0066.308	A	M8	4,5	8	20	10	13	-	30	3,2
B0066.3081	A	M8x1	4,5	8	20	10	13	-	30	3,2
B0066.310	A	M10	5,5	10	24	12	18	-	37	3,9
B0066.3101	A	M10x1	5,5	10	24	12	18	-	37	3,9
B0066.312	A	M12	5,5	10	24	12	18	-	37	3,9
B0066.3121	A	M12x1,5	5,5	10	24	12	18	-	37	3,9
B0066.316	A	M16	5,5	10	32	15	25	-	46	3,9
B0066.3161	A	M16x1,5	5,5	10	32	15	25	-	46	3,9
B0066.320	A	M20	5,5	10	32	15	25	-	46	3,9
B0066.3201	A	M20x1,5	5,5	10	32	15	25	-	46	3,9
B0066.406	B	M6	4,5	8	20	10	21	10	30	4,5
B0066.4061	B	M6x0,75	4,5	8	20	10	21	10	30	4,5
B0066.408	B	M8	4,5	8	20	10	21	10	30	4,5
B0066.4081	B	M8x1	4,5	8	20	10	21	10	30	4,5
B0066.410	B	M10	5,5	10	24	12	26	13	36	5,5
B0066.4101	B	M10x1	5,5	10	24	12	26	13	36	5,5
B0066.412	B	M12	5,5	10	24	12	26	13	36	5,5
B0066.4121	B	M12x1,5	5,5	10	24	12	26	13	36	5,5
B0066.416	B	M16	5,5	10	32	15	29	17	46	5,5
B0066.4161	B	M16x1,5	5,5	10	32	15	29	17	46	5,5
B0066.420	B	M20	5,5	10	32	15	29	17	46	5,5
B0066.4201	B	M20x1,5	5,5	10	32	15	29	17	46	5,5