

Clamping levers with internal thread, bright

Item description/product images



lift to
disengage



Description

Material:

Handle die-cast zinc DIN EN 12844.

Steel parts grade 5.8.

Version:

Handle powder-coated.

Steel parts black oxidised.

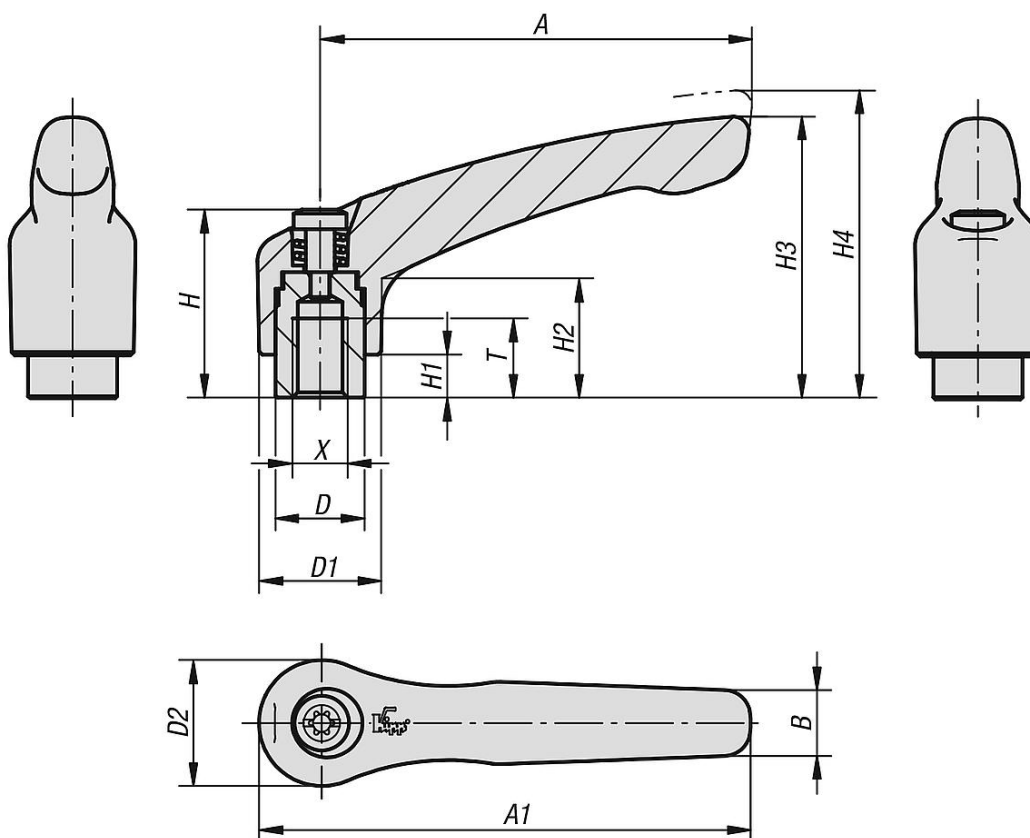
On request:

Other threads, colours and special versions.

Dimension "H1" available in other lengths at extra charge.

Clamping levers with internal thread, bright

Drawings



Overview of items

Order No.	Main colour	Surface finish body	Size	X	T	D	D1	D2	H	H1	H2	H3	H4	A	A1	B	No. of teeth
B0229.003008	-	bright	0	M3	9	10	13	14	24,5	4	14,5	30	33	30	37	7	16
B0229.004008	-	bright	0	M4	9	10	13	14	24,5	4	14,5	30	33	30	37	7	16
B0229.005008	-	bright	0	M5	9	10	13	14	24,5	4	14,5	30	33	30	37	7	16
B0229.104008	-	bright	1	M4	9	10	13	14	24,5	4	14,5	31	34	40	47	7	16
B0229.105008	-	bright	1	M5	9	10	13	14	24,5	4	14,5	31	34	40	47	7	16
B0229.106008	-	bright	1	M6	9	10	13	14	24,5	4	14,5	31	34	40	47	7	16
B0229.206008	-	bright	2	M6	12	13,5	18,5	19	28,5	6,5	17,5	42,5	45,5	65	74,5	9,5	20
B0229.208008	-	bright	2	M8	12	13,5	18,5	19	28,5	6,5	17,5	42,5	45,5	65	74,5	9,5	20
B0229.308008	-	bright	3	M8	14	16	21	22	37	10	24	54,5	58,5	80	91	11	22
B0229.310008	-	bright	3	M10	14	16	21	22	37	10	24	54,5	58,5	80	91	11	22
B0229.410008	-	bright	4	M10	17	19	27	27,5	43	10	27	63	67,5	95	109	13	24
B0229.412008	-	bright	4	M12	17	19	27	27,5	43	10	27	63	67,5	95	109	13	24
B0229.512008	-	bright	5	M12	23	23	31	32	49	12	31,5	73	77,5	110	126	15	26
B0229.516008	-	bright	5	M16	23	23	31	32	49	12	31,5	73	77,5	110	126	15	26