

## Crank handles with fold-down cylinder grip

### Item description/product images



### Description

#### Material:

Crank and grip thermoplastic.

Hub and grip axle steel, strength class 5.8, or stainless steel 1.4404.

#### Version:

Thermoplastic black grey.

Steel parts black oxidised.

Stainless steel bright.

#### Note:

The hub cover is supplied unassembled.

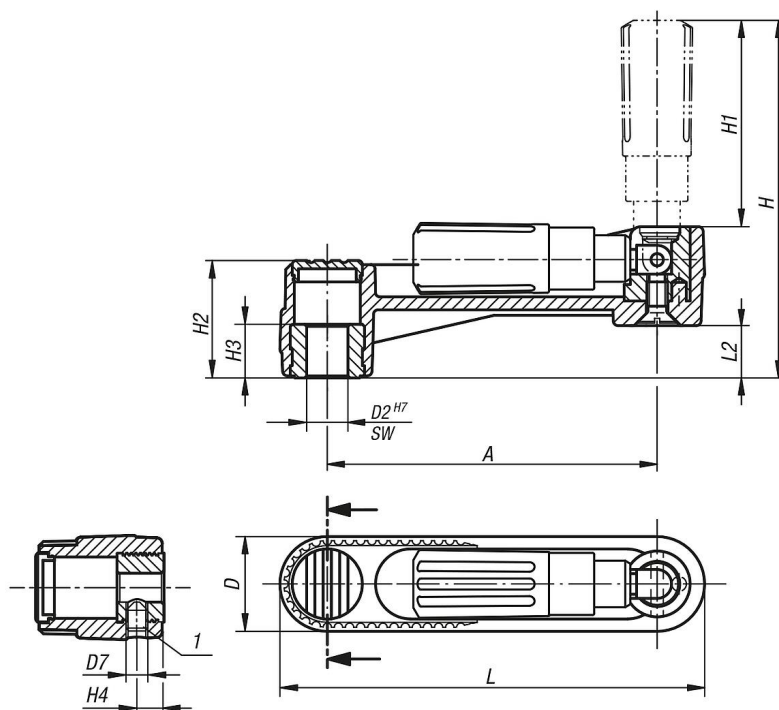
The crank handles can be secured to the shaft by cross-pinning or by parallel key together with a DIN 6912 socket head screw and DIN 7349 washer.

Versions with transverse bore are secured using the ISO 4027 (DIN 914) grub screw.

#### Drawing reference:

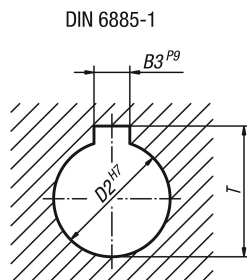
1) Position of the transverse bore to the keyway is offset by 90°.

### Drawings



# Crank handles with fold-down cylinder grip

## Drawings



## Overview of items

### Crank handles with fold-down cylinder grip

Order No.	Version 1	Version 2	Component material	A	D	D2	D7	H	H1	H2	H3	H4	L	L2	B3	SW	T
B0340.1108	reamed hole	without transverse hole	steel	80	24	8	-	85,7	49	28,5	13	-	104	12,7	-	-	-
B0340.1110	reamed hole	without transverse hole	steel	80	24	10	-	85,7	49	28,5	13	-	104	12,7	-	-	-
B0340.1210	reamed hole	without transverse hole	steel	100	29	10	-	105,2	49	35,5	13	-	129	15,7	-	-	-
B0340.1212	reamed hole	without transverse hole	steel	100	29	12	-	105,2	59,5	35,5	13	-	129	15,7	-	-	-
B0340.1312	reamed hole	without transverse hole	steel	125	36	12	-	140	83	44	18,5	-	161	19,5	-	-	-
B0340.1314	reamed hole	without transverse hole	steel	125	36	14	-	140	83	44	18,5	-	161	19,5	-	-	-
B0340.11086	reamed hole	with transverse bore	steel	80	24	8	M6	85,7	49	28,5	13	7,5	104	12,7	-	-	-
B0340.11106	reamed hole	with transverse bore	steel	80	24	10	M6	85,7	49	28,5	13	7,5	104	12,7	-	-	-
B0340.12106	reamed hole	with transverse bore	steel	100	29	10	M6	105,2	59,5	35,5	13	7,5	129	15,7	-	-	-
B0340.12126	reamed hole	with transverse bore	steel	100	29	12	M6	105,2	59,5	35,5	13	7,5	129	15,7	-	-	-
B0340.13126	reamed hole	with transverse bore	steel	125	36	12	M6	140	83	44	18,5	7,5	161	19,5	-	-	-
B0340.13146	reamed hole	with transverse bore	steel	125	36	14	M6	140	83	44	18,5	7,5	161	19,5	-	-	-
B0340.01108	reamed hole	without transverse hole	stainless steel	80	24	8	-	85,7	49	28,5	13	-	104	12,7	-	-	-
B0340.01110	reamed hole	without transverse hole	stainless steel	80	24	10	-	85,7	49	28,5	13	-	104	12,7	-	-	-
B0340.01210	reamed hole	without transverse hole	stainless steel	100	29	10	-	105,2	49	35,5	13	-	129	15,7	-	-	-
B0340.01212	reamed hole	without transverse hole	stainless steel	100	29	12	-	105,2	59,5	35,5	13	-	129	15,7	-	-	-
B0340.01312	reamed hole	without transverse hole	stainless steel	125	36	12	-	140	83	44	18,5	-	161	19,5	-	-	-
B0340.01314	reamed hole	without transverse hole	stainless steel	125	36	14	-	140	83	44	18,5	-	161	19,5	-	-	-
B0340.011086	reamed hole	with transverse bore	stainless steel	80	24	8	M6	85,7	49	28,5	13	7,5	104	12,7	-	-	-
B0340.011106	reamed hole	with transverse bore	stainless steel	80	24	10	M6	85,7	49	28,5	13	7,5	104	12,7	-	-	-
B0340.012106	reamed hole	with transverse bore	stainless steel	100	29	10	M6	105,2	59,5	35,5	13	7,5	129	15,7	-	-	-
B0340.012126	reamed hole	with transverse bore	stainless steel	100	29	12	M6	105,2	59,5	35,5	13	7,5	129	15,7	-	-	-
B0340.013126	reamed hole	with transverse bore	stainless steel	125	36	12	M6	140	83	44	18,5	7,5	161	19,5	-	-	-
B0340.013146	reamed hole	with transverse bore	stainless steel	125	36	14	M6	140	83	44	18,5	7,5	161	19,5	-	-	-
B0340.110802	reamed hole with slot	without transverse hole	steel	80	24	8	-	85,7	49	28,5	13	-	104	12,7	2	-	9
B0340.111003	reamed hole with slot	without transverse hole	steel	80	24	10	-	85,7	49	28,5	13	-	104	12,7	3	-	11,4
B0340.121003	reamed hole with slot	without transverse hole	steel	100	29	10	-	105,2	49	35,5	13	-	129	15,7	3	-	11,4
B0340.121204	reamed hole with slot	without transverse hole	steel	100	29	12	-	105,2	59,5	35,5	13	-	129	15,7	4	-	13,8
B0340.131204	reamed hole with slot	without transverse hole	steel	125	36	12	-	140	83	44	18,5	-	161	19,5	4	-	13,8
B0340.131405	reamed hole with slot	without transverse hole	steel	125	36	14	-	140	83	44	18,5	-	161	19,5	5	-	16,3
B0340.1108026	reamed hole with slot	with transverse bore	steel	80	24	8	M6	85,7	49	28,5	13	7,5	104	12,7	2	-	9
B0340.1110036	reamed hole with slot	with transverse bore	steel	80	24	10	M6	85,7	49	28,5	13	7,5	104	12,7	3	-	11,4
B0340.1210036	reamed hole with slot	with transverse bore	steel	100	29	10	M6	105,2	59,5	35,5	13	7,5	129	15,7	3	-	11,4
B0340.1212046	reamed hole with slot	with transverse bore	steel	100	29	12	M6	105,2	59,5	35,5	13	7,5	129	15,7	4	-	13,8
B0340.1312046	reamed hole with slot	with transverse bore	steel	125	36	12	M6	140	83	44	18,5	7,5	161	19,5	4	-	13,8
B0340.1314056	reamed hole with slot	with transverse bore	steel	125	36	14	M6	140	83	44	18,5	7,5	161	19,5	5	-	16,3
B0340.0110802	reamed hole with slot	without transverse hole	stainless steel	80	24	8	-	85,7	49	28,5	13	-	104	12,7	2	-	9
B0340.0111003	reamed hole with slot	without transverse hole	stainless steel	80	24	10	-	85,7	49	28,5	13	-	104	12,7	3	-	11,4
B0340.0121003	reamed hole with slot	without transverse hole	stainless steel	100	29	10	-	105,2	49	35,5	13	-	129	15,7	3	-	11,4
B0340.0121204	reamed hole with slot	without transverse hole	stainless steel	100	29	12	-	105,2	59,5	35,5	13	-	129	15,7	4	-	13,8
B0340.0131204	reamed hole with slot	without transverse hole	stainless steel	125	36	12	-	140	83	44	18,5	-	161	19,5	4	-	13,8
B0340.0131405	reamed hole with slot	without transverse hole	stainless steel	125	36	14	-	140	83	44	18,5	-	161	19,5	5	-	16,3
B0340.01108026	reamed hole with slot	with transverse bore	stainless steel	80	24	8	M6	85,7	49	28,5	13	7,5	104	12,7	2	-	9
B0340.01110036	reamed hole with slot	with transverse bore	stainless steel	80	24	10	M6	85,7	49	28,5	13	7,5	104	12,7	3	-	11,4

## Crank handles with fold-down cylinder grip

### Overview of items

Order No.	Version 1	Version 2	Component material	A	D	D2	D7	H	H1	H2	H3	H4	L	L2	B3	SW	T
<b>B0340.01210036</b>	reamed hole with slot	with transverse bore	stainless steel	100	29	10	M6	105,2	59,5	35,5	13	7,5	129	15,7	3	-	11,4
<b>B0340.01212046</b>	reamed hole with slot	with transverse bore	stainless steel	100	29	12	M6	105,2	59,5	35,5	13	7,5	129	15,7	4	-	13,8
<b>B0340.01312046</b>	reamed hole with slot	with transverse bore	stainless steel	125	36	12	M6	140	83	44	18,5	7,5	161	19,5	4	-	13,8
<b>B0340.01314056</b>	reamed hole with slot	with transverse bore	stainless steel	125	36	14	M6	140	83	44	18,5	7,5	161	19,5	5	-	16,3
<b>B0340.2108</b>	square socket	fold-down	steel	80	24	-	-	85,7	49	28,5	13	-	104	12,7	-	8	-
<b>B0340.21086</b>	square socket	fold-down	steel	80	24	-	M6	85,7	49	28,5	13	7,5	104	12,7	-	8	-
<b>B0340.2110</b>	square socket	fold-down	steel	80	24	-	-	85,7	49	28,5	13	-	104	12,7	-	10	-
<b>B0340.21106</b>	square socket	fold-down	steel	80	24	-	M6	85,7	49	28,5	13	7,5	104	12,7	-	10	-
<b>B0340.2210</b>	square socket	fold-down	steel	100	29	-	-	105,2	59,5	35,5	13	-	129	15,7	-	10	-
<b>B0340.22106</b>	square socket	fold-down	steel	100	29	-	M6	105,2	59,5	35,5	13	7,5	129	15,7	-	10	-
<b>B0340.2212</b>	square socket	fold-down	steel	100	29	-	-	105,2	59,5	35,5	13	-	129	15,7	-	12	-
<b>B0340.22126</b>	square socket	fold-down	steel	100	29	-	M6	105,2	59,5	35,5	13	7,5	129	15,7	-	12	-
<b>B0340.2312</b>	square socket	fold-down	steel	125	36	-	-	140	83	44	18,5	-	161	19,5	-	12	-
<b>B0340.23126</b>	square socket	fold-down	steel	125	36	-	M6	140	83	44	18,5	7,5	161	19,5	-	12	-
<b>B0340.2314</b>	square socket	fold-down	steel	125	36	-	-	140	83	44	18,5	-	161	19,5	-	14	-