

Crank handles with revolving cylinder grip

Item description/product images



Description

Material:

Crank and grip thermoplastic.

Hub and grip axle steel, strength class 5.8, or stainless steel 1.4404.

Version:

Thermoplastic black grey.

Steel parts black oxidised.

Stainless steel bright.

Note:

The hub cover and the revolving cylinder grip are supplied unassembled.

To assemble, screw the grip into the tapped hole provided.

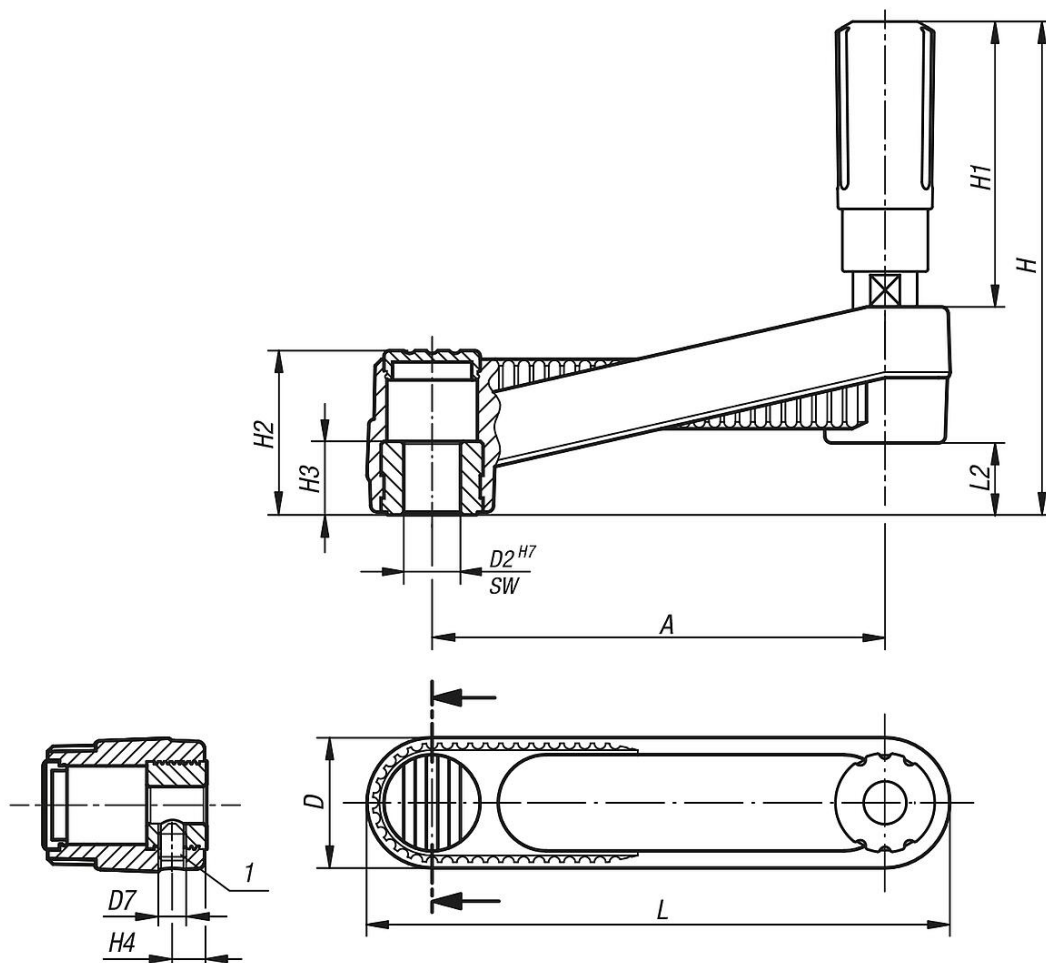
The crank handles can be secured to the shaft by cross-pinning or by parallel key together with a DIN 6912 cap screw and DIN 7349 washer.

Versions with transverse bore are secured using the ISO 4027 (DIN 914) grub screw.

Drawing reference:

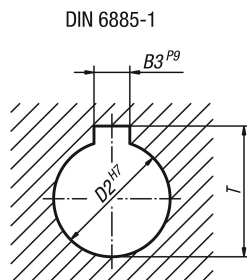
1) Position of the transverse bore to the keyway is offset by 90°.

Drawings



Crank handles with revolving cylinder grip

Drawings



Overview of items

Crank handles with revolving cylinder grip

Order No.	Version 1	Version 2	Component material	A	D	D2	D7	H	H1	H2	H3	H4	L	L2	B3	SW	T
B0341.3108	reamed hole	without transverse hole	steel	80	24	8	-	85,8	49,1	28,5	13	-	104	12,7	-	-	-
B0341.3110	reamed hole	without transverse hole	steel	80	24	10	-	85,8	49,1	28,5	13	-	104	12,7	-	-	-
B0341.3210	reamed hole	without transverse hole	steel	100	29	10	-	107,1	61,4	35,5	13	-	129	15,7	-	-	-
B0341.3212	reamed hole	without transverse hole	steel	100	29	12	-	107,1	61,4	35,5	13	-	129	15,7	-	-	-
B0341.3312	reamed hole	without transverse hole	steel	125	36	12	-	139,5	82,5	44	18,5	-	161	19,5	-	-	-
B0341.3314	reamed hole	without transverse hole	steel	125	36	14	-	139,5	82,5	44	18,5	-	161	19,5	-	-	-
B0341.31086	reamed hole	with transverse bore	steel	80	24	8	M6	85,8	49,1	28,5	13	7,5	104	12,7	-	-	-
B0341.31106	reamed hole	with transverse bore	steel	80	24	10	M6	85,8	49,1	28,5	13	7,5	104	12,7	-	-	-
B0341.32106	reamed hole	with transverse bore	steel	100	29	10	M6	107,1	61,4	35,5	13	7,5	129	15,7	-	-	-
B0341.32126	reamed hole	with transverse bore	steel	100	29	12	M6	107,1	61,4	35,5	13	7,5	129	15,7	-	-	-
B0341.33126	reamed hole	with transverse bore	steel	125	36	12	M6	139,5	82,5	44	18,5	7,5	161	19,5	-	-	-
B0341.33146	reamed hole	with transverse bore	steel	125	36	14	M6	139,5	82,5	44	18,5	7,5	161	19,5	-	-	-
B0341.03108	reamed hole	without transverse hole	stainless steel	80	24	8	-	85,8	49,1	28,5	13	-	104	12,7	-	-	-
B0341.03110	reamed hole	without transverse hole	stainless steel	80	24	10	-	85,8	49,1	28,5	13	-	104	12,7	-	-	-
B0341.03210	reamed hole	without transverse hole	stainless steel	100	29	10	-	107,1	61,4	35,5	13	-	129	15,7	-	-	-
B0341.03212	reamed hole	without transverse hole	stainless steel	100	29	12	-	107,1	61,4	35,5	13	-	129	15,7	-	-	-
B0341.03312	reamed hole	without transverse hole	stainless steel	125	36	12	-	139,5	82,5	44	18,5	-	161	19,5	-	-	-
B0341.03314	reamed hole	without transverse hole	stainless steel	125	36	14	-	139,5	82,5	44	18,5	-	161	19,5	-	-	-
B0341.031086	reamed hole	with transverse bore	stainless steel	80	24	8	M6	85,8	49,1	28,5	13	7,5	104	12,7	-	-	-
B0341.031106	reamed hole	with transverse bore	stainless steel	80	24	10	M6	85,8	49,1	28,5	13	7,5	104	12,7	-	-	-
B0341.032106	reamed hole	with transverse bore	stainless steel	100	29	10	M6	107,1	61,4	35,5	13	7,5	129	15,7	-	-	-
B0341.032126	reamed hole	with transverse bore	stainless steel	100	29	12	M6	107,1	61,4	35,5	13	7,5	129	15,7	-	-	-
B0341.033126	reamed hole	with transverse bore	stainless steel	125	36	12	M6	139,5	82,5	44	18,5	7,5	161	19,5	-	-	-
B0341.033146	reamed hole	with transverse bore	stainless steel	125	36	14	M6	139,5	82,5	44	18,5	7,5	161	19,5	-	-	-
B0341.310802	reamed hole with slot	without transverse hole	steel	80	24	8	-	85,8	49,1	28,5	13	-	104	12,7	2	-	9
B0341.311003	reamed hole with slot	without transverse hole	steel	80	24	10	-	85,8	49,1	28,5	13	-	104	12,7	3	-	11,4
B0341.321003	reamed hole with slot	without transverse hole	steel	100	29	10	-	107,1	61,4	35,5	13	-	129	15,7	3	-	11,4
B0341.321204	reamed hole with slot	without transverse hole	steel	100	29	12	-	107,1	61,4	35,5	13	-	129	15,7	4	-	13,8
B0341.331204	reamed hole with slot	without transverse hole	steel	125	36	12	-	139,5	82,5	44	18,5	-	161	19,5	4	-	13,8
B0341.331405	reamed hole with slot	without transverse hole	steel	125	36	14	-	139,5	82,5	44	18,5	-	161	19,5	5	-	16,3
B0341.3210036	reamed hole with slot	with transverse bore	steel	100	29	10	M6	107,1	61,4	35,5	13	7,5	129	15,7	3	-	11,4
B0341.3212046	reamed hole with slot	with transverse bore	steel	100	29	12	M6	107,1	61,4	35,5	13	7,5	129	15,7	4	-	13,8
B0341.3312046	reamed hole with slot	with transverse bore	steel	125	36	12	M6	139,5	82,5	44	18,5	7,5	161	19,5	4	-	13,8
B0341.3314056	reamed hole with slot	with transverse bore	steel	125	36	14	M6	139,5	82,5	44	18,5	7,5	161	19,5	5	-	16,3
B0341.3108026	reamed hole with slot	with transverse bore	steel	80	24	8	M6	85,8	49,1	28,5	13	7,5	104	12,7	2	-	9
B0341.3110036	reamed hole with slot	with transverse bore	steel	80	24	10	M6	85,8	49,1	28,5	13	7,5	104	12,7	3	-	11,4
B0341.0310802	reamed hole with slot	without transverse hole	stainless steel	80	24	8	-	85,8	49,1	28,5	13	-	104	12,7	2	-	9
B0341.0311003	reamed hole with slot	without transverse hole	stainless steel	80	24	10	-	85,8	49,1	28,5	13	-	104	12,7	3	-	11,4
B0341.0321003	reamed hole with slot	without transverse hole	stainless steel	100	29	10	-	107,1	61,4	35,5	13	-	129	15,7	3	-	11,4
B0341.0321204	reamed hole with slot	without transverse hole	stainless steel	100	29	12	-	107,1	61,4	35,5	13	-	129	15,7	4	-	13,8
B0341.0331204	reamed hole with slot	without transverse hole	stainless steel	125	36	12	-	139,5	82,5	44	18,5	-	161	19,5	4	-	13,8
B0341.0331405	reamed hole with slot	without transverse hole	stainless steel	125	36	14	-	139,5	82,5	44	18,5	-	161	19,5	5	-	16,3
B0341.03108026	reamed hole with slot	with transverse bore	stainless steel	80	24	8	M6	85,8	49,1	28,5	13	7,5	104	12,7	2	-	9
B0341.03110036	reamed hole with slot	with transverse bore	stainless steel	80	24	10	M6	85,8	49,1	28,5	13	7,5	104	12,7	3	-	11,4

Crank handles with revolving cylinder grip

Overview of items

Order No.	Version 1	Version 2	Component material	A	D	D2	D7	H	H1	H2	H3	H4	L	L2	B3	SW	T
B0341.03210036	reamed hole with slot	with transverse bore	stainless steel	100	29	10	M6	107,1	61,4	35,5	13	7,5	129	15,7	3	-	11,4
B0341.03212046	reamed hole with slot	with transverse bore	stainless steel	100	29	12	M6	107,1	61,4	35,5	13	7,5	129	15,7	4	-	13,8
B0341.03312046	reamed hole with slot	with transverse bore	stainless steel	125	36	12	M6	139,5	82,5	44	18,5	7,5	161	19,5	4	-	13,8
B0341.03314056	reamed hole with slot	with transverse bore	stainless steel	125	36	14	M6	139,5	82,5	44	18,5	7,5	161	19,5	5	-	16,3
B0341.4108	square socket	revolving	steel	80	24	-	-	85,8	49,1	28,5	13	-	104	12,7	-	8	-
B0341.41086	square socket	revolving	steel	80	24	-	M6	85,8	49,1	28,5	13	7,5	104	12,7	-	8	-
B0341.4110	square socket	revolving	steel	80	24	-	-	85,8	49,1	28,5	13	-	104	12,7	-	10	-
B0341.41106	square socket	revolving	steel	80	24	-	M6	85,8	49,1	28,5	13	7,5	104	12,7	-	10	-
B0341.4210	square socket	revolving	steel	100	29	-	-	107,1	61,4	35,5	13	-	129	15,7	-	10	-
B0341.42106	square socket	revolving	steel	100	29	-	M6	107,1	61,4	35,5	13	7,5	129	15,7	-	10	-
B0341.4212	square socket	revolving	steel	100	29	-	-	107,1	61,4	35,5	13	-	129	15,7	-	12	-
B0341.42126	square socket	revolving	steel	100	29	-	M6	107,1	61,4	35,5	13	7,5	129	15,7	-	12	-
B0341.4312	square socket	revolving	steel	125	36	-	-	139,5	82,5	44	18,5	-	161	19,5	-	12	-
B0341.43126	square socket	revolving	steel	125	36	-	M6	139,5	82,5	44	18,5	7,5	161	19,5	-	12	-
B0341.4314	square socket	revolving	steel	125	36	-	-	139,5	82,5	44	18,5	-	161	19,5	-	14	-
B0341.43146	square socket	revolving	steel	125	36	-	M6	139,5	82,5	44	18,5	7,5	161	19,5	-	14	-