

Crank handles with safety grip

Item description/product images



Description

Material:

Crank thermoplastic.

Cylinder grip thermoplastic and steel.

Version:

Black grey thermoplastic.

Steel parts black oxidised.

Note:

The hub cover is supplied unassembled. The crank handles can be secured to the shaft by cross-pinning or by parallel key together with a DIN 6912 cap screw and DIN 7349 washer. Two actions must be made to bring the safety cylinder grip into an operating position:

- Swing the grip out around the pivot shaft until it stops (90°).
- Push the grip in an axial direction into the lock position.

The pushed-in position is the most comfortable for cranking. The grip swings back automatically after releasing.

Versions with transverse bore are secured using the ISO 4027 (DIN 914) grub screw.

Accessory:

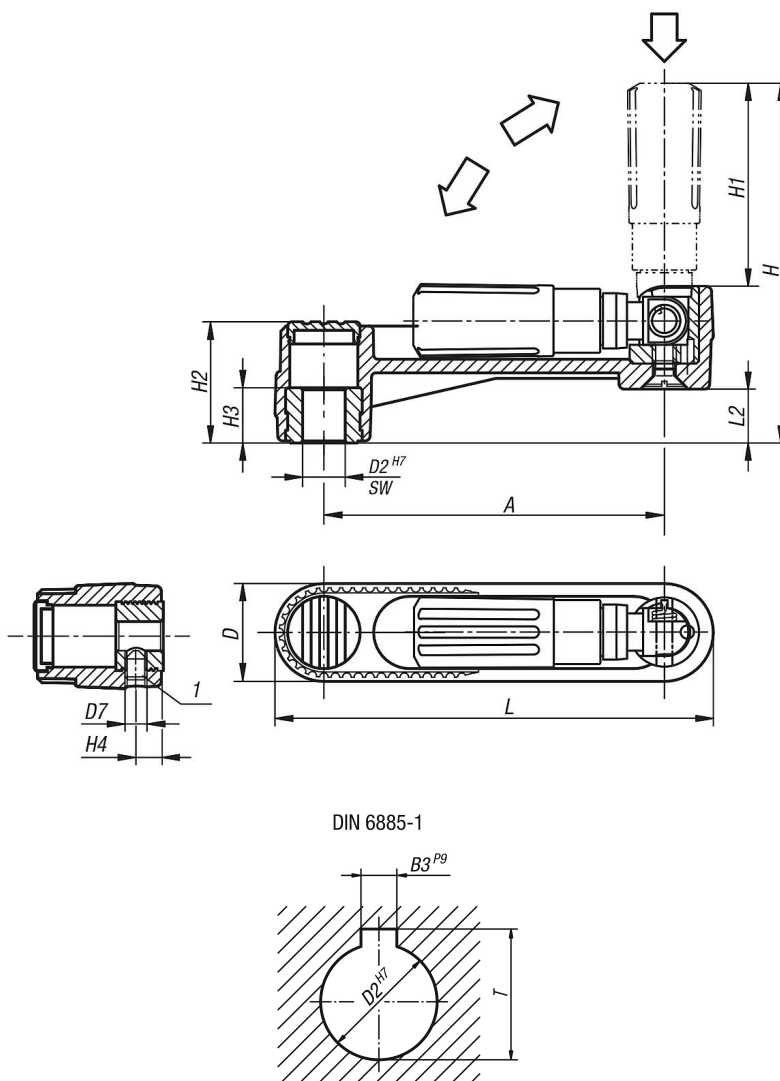
B0127 cap screws screws, low head DIN 6912.

Drawing reference:

- 1) Position of the transverse bore to the keyway is offset by 90°.

Crank handles with safety grip

Drawings



Overview of items

Crank handles with safety grip

Order No.	Version 1	Version 2	A	D	D2	D7	H	H1	H2	H3	H4	L	L2	B3	SW	T
B0342.1108	reamed hole	without transverse hole	80	24	8	-	84,2	47,5	28,5	13	-	104	12,7	-	-	-
B0342.1110	reamed hole	without transverse hole	80	24	10	-	84,2	47,5	28,5	13	-	104	12,7	-	-	-
B0342.1210	reamed hole	without transverse hole	100	29	10	-	104,2	58,5	35,5	13	-	129	15,7	-	-	-
B0342.1212	reamed hole	without transverse hole	100	29	12	-	104,2	58,5	35,5	13	-	129	15,7	-	-	-
B0342.1312	reamed hole	without transverse hole	125	36	12	-	139	82	44	18,5	-	161	19,5	-	-	-
B0342.1314	reamed hole	without transverse hole	125	36	14	-	139	82	44	18,5	-	161	19,5	-	-	-
B0342.11086	reamed hole	safety	80	24	8	M6	84,2	47,5	28,5	13	7,5	104	12,7	-	-	-
B0342.11106	reamed hole	safety	80	24	10	M6	84,2	47,5	28,5	13	7,5	104	12,7	-	-	-
B0342.12106	reamed hole	safety	100	29	10	M6	104,2	58,5	35,5	13	7,5	129	15,7	-	-	-
B0342.12126	reamed hole	safety	100	29	12	M6	104,2	58,5	35,5	13	7,5	129	15,7	-	-	-
B0342.13126	reamed hole	safety	125	36	12	M6	139	82	44	18,5	7,5	161	19,5	-	-	-
B0342.13146	reamed hole	safety	125	36	14	M6	139	82	44	18,5	7,5	161	19,5	-	-	-
B0342.110802	reamed hole with slot	without transverse hole	80	24	8	-	84,2	47,5	28,5	13	-	104	12,7	2	-	9
B0342.111003	reamed hole with slot	without transverse hole	80	24	10	-	84,2	47,5	28,5	13	-	104	12,7	3	-	11,4
B0342.121003	reamed hole with slot	without transverse hole	100	29	10	-	104,2	58,5	35,5	13	-	129	15,7	3	-	11,4
B0342.121204	reamed hole with slot	without transverse hole	100	29	12	-	104,2	58,5	35,5	13	-	129	15,7	4	-	13,8

Crank handles with safety grip

Overview of items

Order No.	Version 1	Version 2	A	D	D2	D7	H	H1	H2	H3	H4	L	L2	B3	SW	T
B0342.131204	reamed hole with slot	without transverse hole	125	36	12	-	139	82	44	18,5	-	161	19,5	4	-	13,8
B0342.131405	reamed hole with slot	without transverse hole	125	36	14	-	139	82	44	18,5	-	161	19,5	5	-	16,3
B0342.1108026	reamed hole with slot	safety	80	24	8	M6	84,2	47,5	28,5	13	7,5	104	12,7	2	-	9
B0342.1110036	reamed hole with slot	safety	80	24	10	M6	84,2	47,5	28,5	13	7,5	104	12,7	3	-	11,4
B0342.1210036	reamed hole with slot	safety	100	29	10	M6	104,2	58,5	35,5	13	7,5	129	15,7	3	-	11,4
B0342.1212046	reamed hole with slot	safety	100	29	12	M6	104,2	58,5	35,5	13	7,5	129	15,7	4	-	13,8
B0342.1312046	reamed hole with slot	safety	125	36	12	M6	139	82	44	18,5	7,5	161	19,5	4	-	13,8
B0342.1314056	reamed hole with slot	safety	125	36	14	M6	139	82	44	18,5	7,5	161	19,5	5	-	16,3
B0342.2108	square socket	without transverse hole	80	24	-	-	84,2	47,5	28,5	13	-	104	12,7	-	8	-
B0342.2110	square socket	without transverse hole	80	24	-	-	84,2	47,5	28,5	13	-	104	12,7	-	10	-
B0342.2210	square socket	without transverse hole	100	29	-	-	104,2	58,5	35,5	13	-	129	15,7	-	10	-
B0342.2212	square socket	without transverse hole	100	29	-	-	104,2	58,5	35,5	13	-	129	15,7	-	12	-
B0342.2312	square socket	without transverse hole	125	36	-	-	139	82	44	18,5	-	161	19,5	-	12	-
B0342.2314	square socket	without transverse hole	125	36	-	-	139	82	44	18,5	-	161	19,5	-	14	-
B0342.21086	square socket	safety	80	24	-	M6	84,2	47,5	28,5	13	7,5	104	12,7	-	8	-
B0342.21106	square socket	safety	80	24	-	M6	84,2	47,5	28,5	13	7,5	104	12,7	-	10	-
B0342.22106	square socket	safety	100	29	-	M6	104,2	58,5	35,5	13	7,5	129	15,7	-	10	-
B0342.22126	square socket	safety	100	29	-	M6	104,2	58,5	35,5	13	7,5	129	15,7	-	12	-
B0342.23126	square socket	safety	125	36	-	M6	139	82	44	18,5	7,5	161	19,5	-	12	-
B0342.23146	square socket	safety	125	36	-	M6	139	82	44	18,5	7,5	161	19,5	-	14	-