

Stainless steel washer for cam lever

Item description/product images



Description

Product description:

The washer can be fitted between the thrust washer and the contact face.

Material:

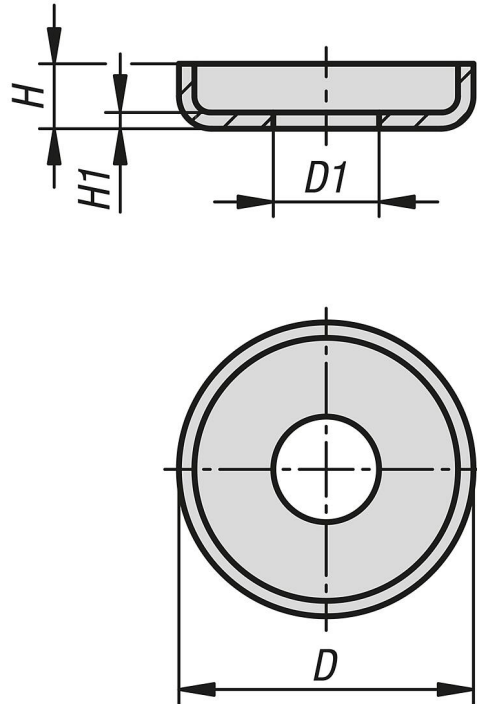
Stainless steel 1.4305 (AISI 303 equivalent).

Version:

Bright.

Stainless steel washer for cam lever

Drawings



Overview of items

Stainless steel washer for cam lever

Order No.	Size	D	D1	H	H1
B0570.112	9	12	4,3	2,2	0,5
B0570.115	0	15,4	5,3	3,2	0,7
B0570.118	1	18,1	6,5	4	1
B0570.127	2	27,1	10,2	4	1