

# Gripper screws hexagonal

## Item description/product images



### Description

**Material:**

Hex head screw, grade 10.9.  
Serrations carbide, hardness 72-74 HRC.

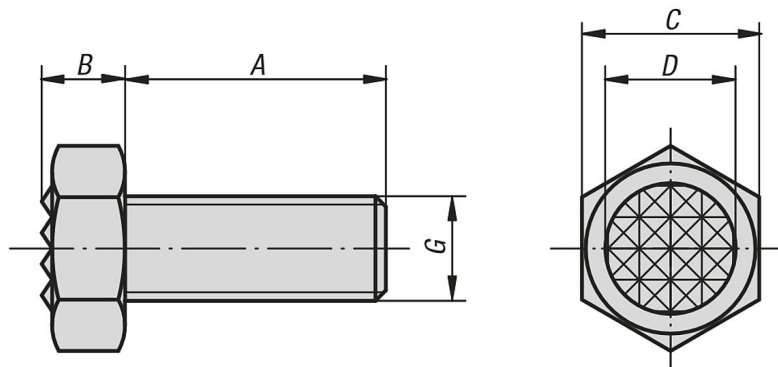
**Version:**

Black oxidised.

**Note:**

The serrated carbide tips are soldered in.

## Drawings



## Overview of items

Order No.	C	A	B	D	G	Serration
B0170.100612	10	12	5	7,9	M6	extra fine
B0170.1006	10	25	5	7,9	M6	extra fine
B0170.130812	13	12	6,4	9,5	M8	fine
B0170.130816	13	16	6,4	9,5	M8	fine
B0170.1308	13	25	6,4	9,5	M8	fine
B0170.130830	13	30	6,4	9,5	M8	fine
B0170.130835	13	35	6,4	9,5	M8	fine
B0170.1710140	17	40	7,5	12,7	M10x1,25	fine
B0170.1710125	17	25	7,5	12,7	M10x1,25	fine
B0170.171012	17	12	7,5	12,7	M10	fine
B0170.1710	17	25	7,5	12,7	M10	fine
B0170.17102	17	40	7,5	12,7	M10	fine
B0170.1912	19	25	8,7	15,9	M12	fine
B0170.19122	19	40	8,7	15,9	M12	fine
B0170.2416	24	35	11	19	M16	fine
B0170.24162	24	50	11	19	M16	fine
B0170.3020	30	40	13,7	25,4	M20	extra fine
B0170.30202	30	60	13,7	25,4	M20	extra fine