

Clevis tang, steel or stainless steel

Item description/product images



Description

Material:

Steel or 1.4305 stainless steel.

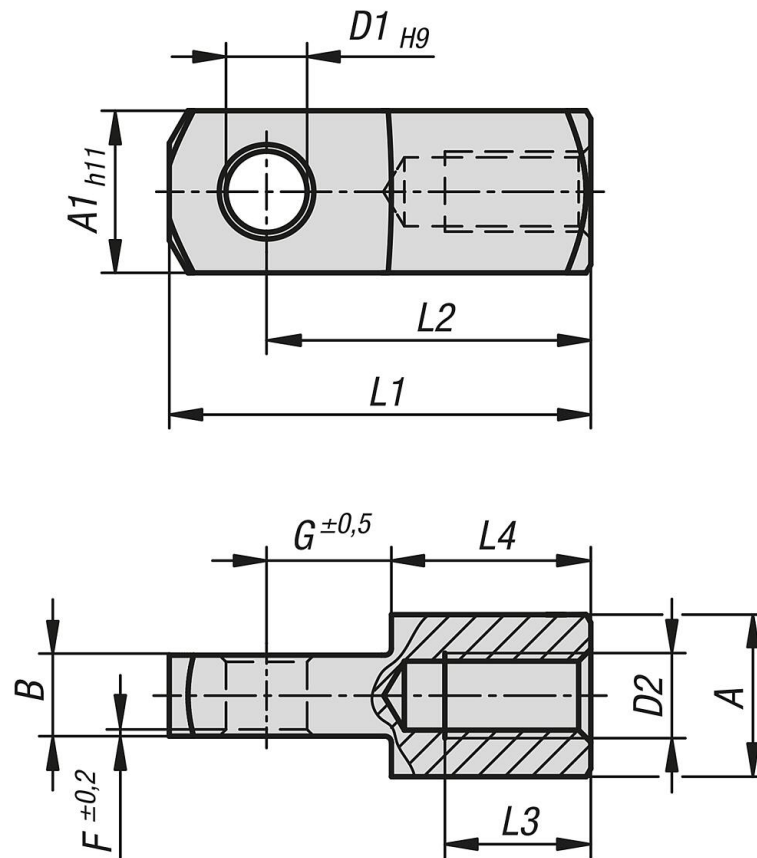
Version:

Steel electro zinc-plated. Stainless steel bright.

Note:

The clevis tang can be combined with a DIN 71752 clevis. These items are mainly used when connections are required to compensate for a directional shift in one direction.

Drawings



Clevis tang, steel or stainless steel

Overview of items

Order No.	Main material	A	A1	B	D1	D2	F	G	L1	L2	L3	L4
B0435.0406	steel	8	8	4	4	M4	0,5	6	21	16	6	10
B0435.0507	steel	10	10	5	5	M5	0,5	7,5	26	20	8	12,5
B0435.0609	steel	12	12	6	6	M6	0,5	9	31	24	11	15
B0435.0812	steel	16	16	8	8	M8	0,5	12	42	32	14	20
B0435.1015	steel	20	20	10	10	M10	0,5	15	52	40	18	25
B0435.1218	steel	24	24	12	12	M12	0,5	18	62	48	22	30
B0435.1421	steel	27	27	14	14	M14	1	21	72	56	25	35
B0435.1624	steel	32	32	16	16	M16	1	24	83	64	30	40
B0435.2030	steel	40	40	20	20	M20	1	30	105	80	38	50
B0435.10406	stainless steel A2	8	8	4	4	M4	0,5	6	21	16	6	10
B0435.10507	stainless steel A2	10	10	5	5	M5	0,5	7,5	26	20	8	12,5
B0435.10609	stainless steel A2	12	12	6	6	M6	0,5	9	31	24	11	15
B0435.10812	stainless steel A2	16	16	8	8	M8	0,5	12	42	32	14	20
B0435.11015	stainless steel A2	20	20	10	10	M10	0,5	15	52	40	18	25
B0435.11218	stainless steel A2	24	24	12	12	M12	0,5	18	62	48	22	30
B0435.11421	stainless steel A2	27	27	14	14	M14	1	21	72	56	25	35
B0435.11624	stainless steel A2	32	32	16	16	M16	1	24	83	64	30	40
B0435.12030	stainless steel A2	40	40	20	20	M20	1	30	105	80	38	50