

Clamping levers with internal thread, bright

Item description/product images



lift to
disengage



Description

Material:

Handle die-cast zinc DIN EN 12844.

Steel parts grade 5.8.

Version:

Handle powder-coated.

Steel parts black oxidised.

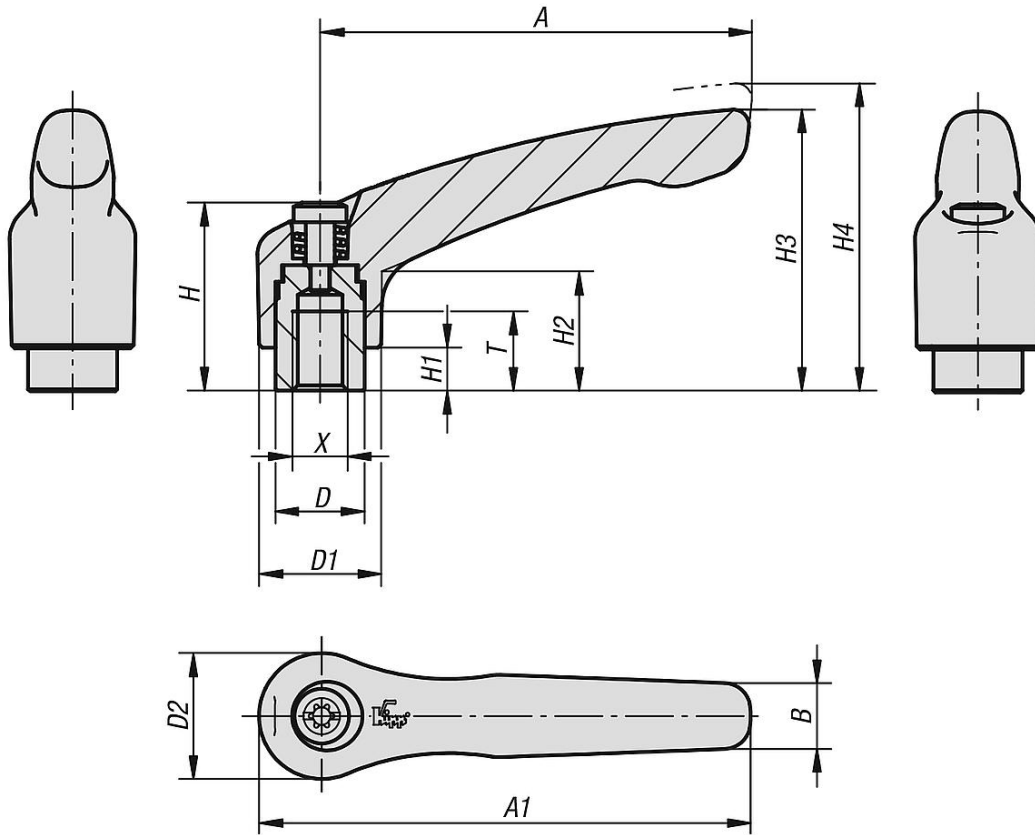
On request:

Other threads, colours and special versions.

Dimension "H1" available in other lengths at extra charge.

Clamping levers with internal thread, bright

Drawings



Overview of items

Order No.	Surface finish body	Size	X	T	D	D1	D2	H	H1	H2	H3	H4	A	A1	B	No. of teeth
B0229.903008	bright	9	M3	6	8	11	11,5	21,4	4	11,9	24	27	22	27,7	6,4	12
B0229.904008	bright	9	M4	6	8	11	11,5	21,4	4	11,9	24	27	22	27,7	6,4	12
B0229.905008	bright	9	M5	6	8	11	11,5	21,4	4	11,9	24	27	22	27,7	6,4	12
B0229.003008	bright	0	M3	9	10	13	14	24,5	4	14,5	30	33	30	37	7	16
B0229.004008	bright	0	M4	9	10	13	14	24,5	4	14,5	30	33	30	37	7	16
B0229.005008	bright	0	M5	9	10	13	14	24,5	4	14,5	30	33	30	37	7	16
B0229.104008	bright	1	M4	9	10	13	14	24,5	4	14,5	31	34	40	47	7	16
B0229.105008	bright	1	M5	9	10	13	14	24,5	4	14,5	31	34	40	47	7	16
B0229.106008	bright	1	M6	9	10	13	14	24,5	4	14,5	31	34	40	47	7	16
B0229.206008	bright	2	M6	12	13,5	18,5	19	28,5	6,5	17,5	42,5	45,5	65	74,5	9,5	20
B0229.208008	bright	2	M8	12	13,5	18,5	19	28,5	6,5	17,5	42,5	45,5	65	74,5	9,5	20
B0229.308008	bright	3	M8	14	16	21	22	37	10	24	54,5	58,5	80	91	11	22
B0229.310008	bright	3	M10	14	16	21	22	37	10	24	54,5	58,5	80	91	11	22
B0229.410008	bright	4	M10	17	19	27	27,5	43	10	27	63	67,5	95	109	13	24
B0229.412008	bright	4	M12	17	19	27	27,5	43	10	27	63	67,5	95	109	13	24
B0229.512008	bright	5	M12	23	23	31	32	49	12	31,5	73	77,5	110	126	15	26
B0229.516008	bright	5	M16	23	23	31	32	49	12	31,5	73	77,5	110	126	15	26