

Swivel castors compact version

Item description/product images



Description

Material:

Housing steel plate, trivalent blue passivated.
 Roller light brown polyurethane, Shore 92 A
 or white polyamide, Shore 80 D.

Version:

Housing press formed.
 Swivel castor housing with 2x ball bearing in the swivel head and ball shield.
 Roller with two pressed-in ball bearings.

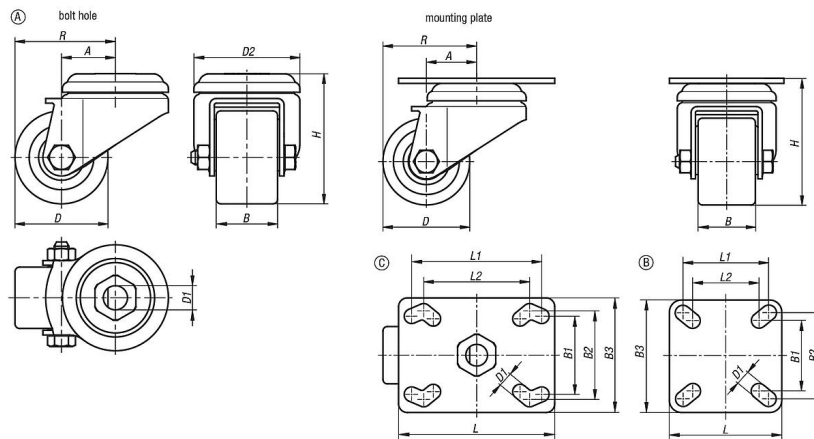
Note:

Wheel axle bolted.

Polyurethane roller: low-noise, low rolling resistance, elastic, floor-protecting, very wear resistant, non-staining.

Polyamide roller: very low roll and pivot resistance, smooth running on smooth floors, very wear resistant.

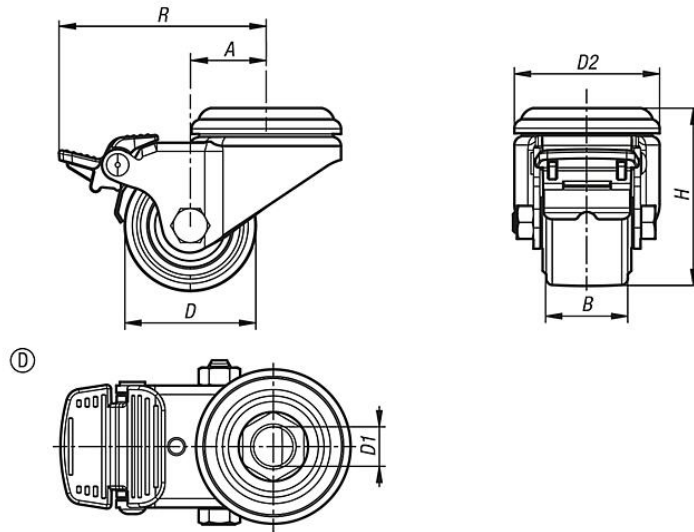
Drawings



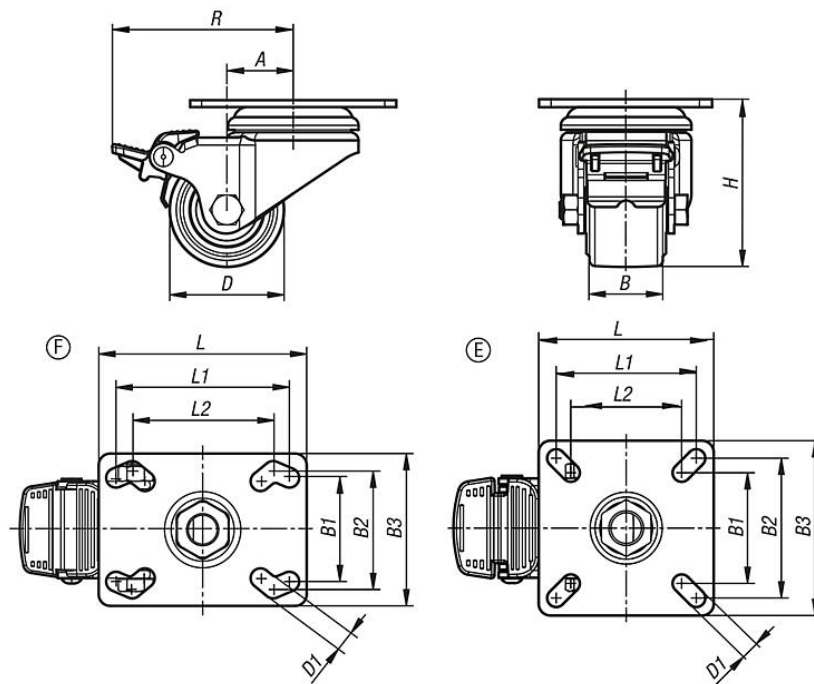
Swivel castors compact version

Drawings

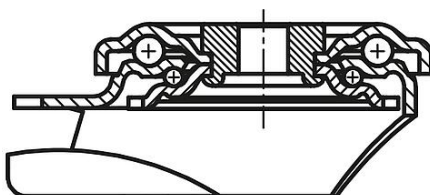
Back hole with locking system:



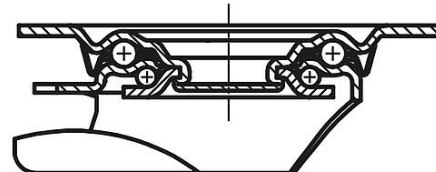
Screw-on plate with locking system:



Swivel head bearing:
bolt hole



Swivel head bearing:
mounting plate



Overview of items

Swivel castors compact version

Overview of items

Swivel castors compact version

Order No.	Form	Item	Version 1	Kind of fastening	Wheel bearing	Material roller	A	B	B1	B2	B3	D	D1	D2	H	L	L1	L2	R	Permissible load kg
B0492.0352701	A	Swivel castor	without locking system	bolt hole	ball bearing	polyurethane	1527	-	-	-	35	11	43	50	-	-	-	-	32,5	100
B0492.0352802	A	Swivel castor	without locking system	bolt hole	ball bearing	polyamide	1528	-	-	-	35	11	43	50	-	-	-	-	32,5	100
B0492.0503301	A	Swivel castor	without locking system	bolt hole	ball bearing	polyurethane	2933	-	-	-	50	13	57	70	-	-	-	-	54	150
B0492.0503202	A	Swivel castor	without locking system	bolt hole	ball bearing	polyamide	2932	-	-	-	50	13	57	70	-	-	-	-	54	150
B0492.0352711	B	Swivel castor	without locking system	mounting plate	ball bearing	polyurethane	1527	38	48	60	35	6,2	-	52	60	48	38	32,5	100	
B0492.0352812	B	Swivel castor	without locking system	mounting plate	ball bearing	polyamide	1528	38	48	60	35	6,2	-	52	60	48	38	32,5	100	
B0492.0503311	C	Swivel castor	without locking system	mounting plate	ball bearing	polyurethane	2933	45	51	66	50	8,5	-	73	90	75	61	54	150	
B0492.0503212	C	Swivel castor	without locking system	mounting plate	ball bearing	polyamide	2932	45	51	66	50	8,5	-	73	90	75	61	54	150	
B0492.0503322	D	Swivel castor	With Radstop locking system	bolt hole	ball bearing	polyamide	2933	-	-	-	50	13	57	70	-	-	-	-	80	150
B0492.0352721	D	Swivel castor	With Radstop locking system	bolt hole	ball bearing	polyurethane	1527	-	-	-	35	11	43	50	-	-	-	-	63	100
B0492.0352722	D	Swivel castor	With Radstop locking system	bolt hole	ball bearing	polyamide	1527	-	-	-	35	11	43	50	-	-	-	-	63	100
B0492.0352732	E	Swivel castor	With Radstop locking system	mounting plate	ball bearing	polyamide	1527	38	48	60	35	6,2	-	52	60	48	38	63	100	
B0492.0352731	E	Swivel castor	With Radstop locking system	mounting plate	ball bearing	polyurethane	1527	38	48	60	35	6,2	-	52	60	48	38	63	100	
B0492.0503332	F	Swivel castor	With Radstop locking system	mounting plate	ball bearing	polyamide	2933	45	51	66	50	8,5	-	73	90	75	61	80	150	
B0492.0503331	F	Swivel castor	With Radstop locking system	mounting plate	ball bearing	polyurethane	2933	45	51	66	50	8,5	-	73	90	75	61	80	150	